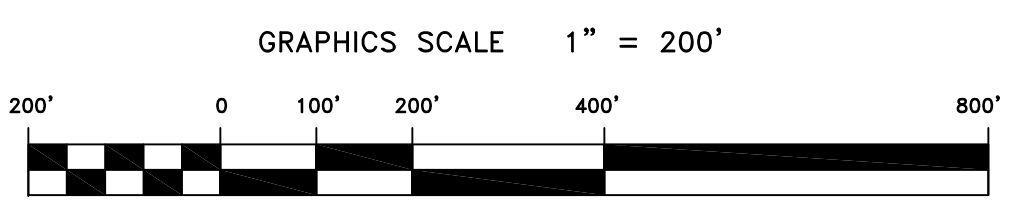
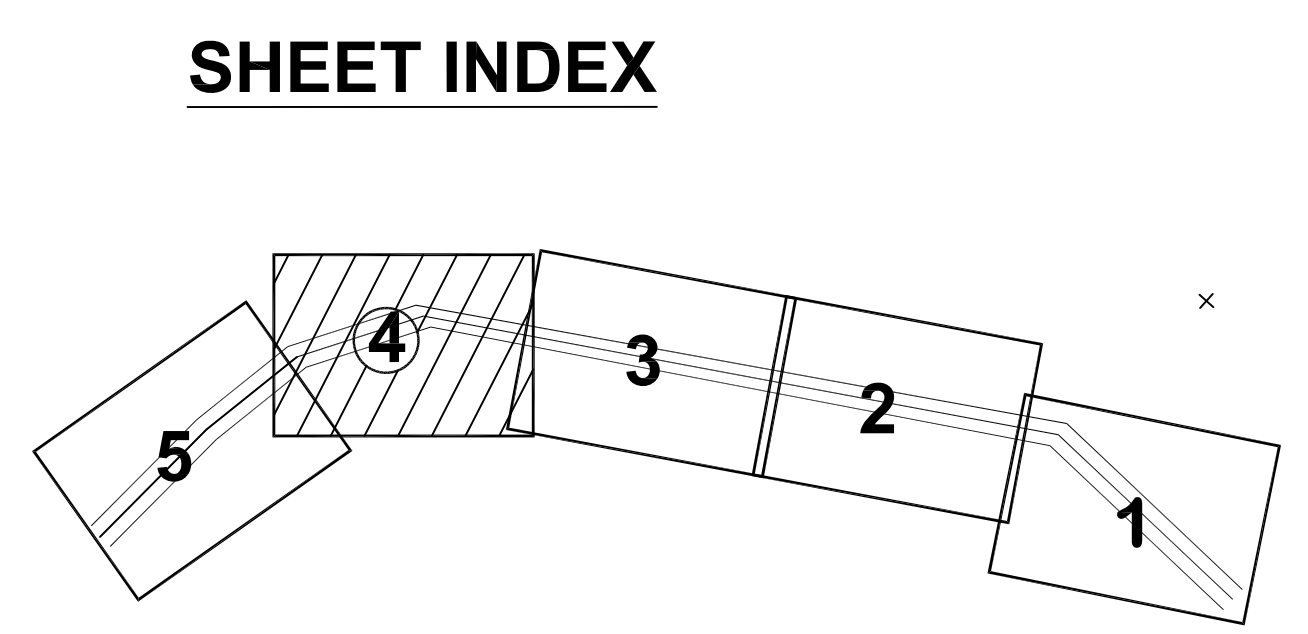
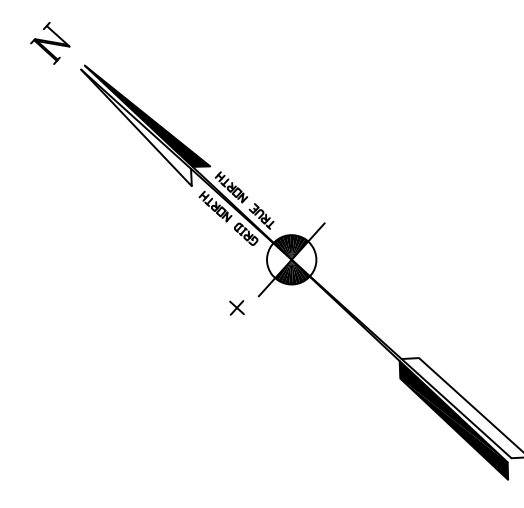



PRELIMINARY ISSUE
THIS PLAN ISSUED FOR
ADVANCE INFORMATION ONLY




US Army Corps
of Engineers
San Francisco District
1455 Market Street
San Francisco, CA 94103

Mark	Description	Date	Appr.

SUBMITTED: PC	DESIGNED BY: TYW	CHECKED BY: EVC	DRAWN BY: EVC
Hydra Survey Team Leader	DATE: 08/25/2009	DATE: 08/25/2009	DATE: 08/25/2009
APPROVAL RECOMMENDED:	SHEET NO. 4 OF 5	SHEET NO. 2	DRAWING NO. 2 XX
CHIEF, Technical Support Section	PREPARED UNDER THE DIRECTION OF		
APPROVED:	LAURENCE M. FARRELL		
Chief, Construction Branch	LT. COLONEL, C.E., DISTRICT ENGINEER		

SONOMA COUNTY
CALIFORNIA
PETALUMA RIVER
ACROSS THE FLAT
CONDITION SURVEY
14 & 26 AUGUST 2009

Sheet
reference
number
C4

