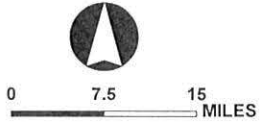


\\ed:\USGS_OAK_Dike\Projects\Fig2_1_Airport_location.mxd 2/18/2014 9:23:43 AM

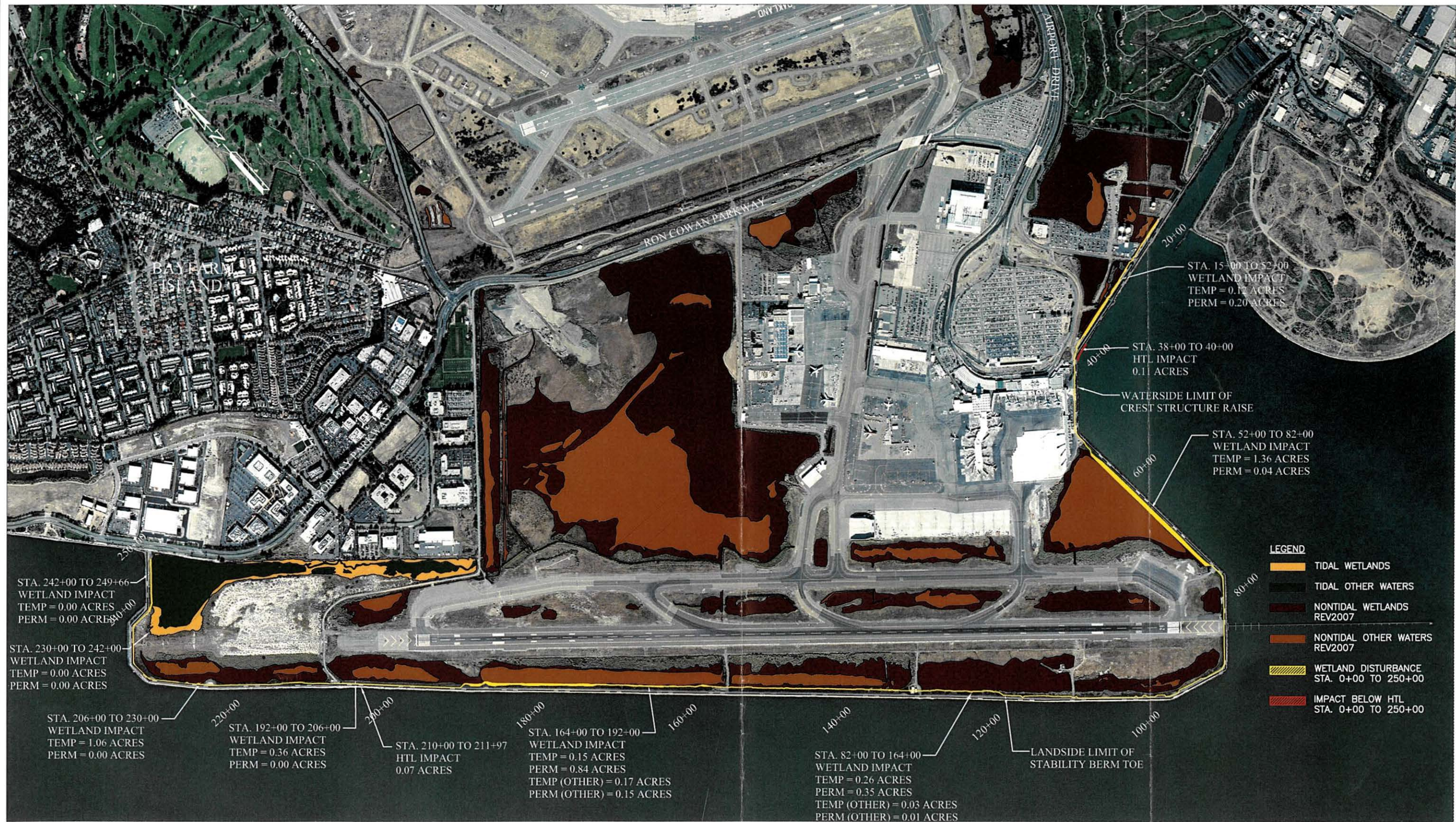
AIRPORT VICINITY

Airport Perimeter Dike FEMA and Seismic Improvements Project
 Oakland International Airport
 28067727
 Oakland, CA

- Major Cities
- Major Highways
- ▭ County Boundaries



Nov 02, 2011 3:44pm
 L:\Projects\Legacy\IE\Port\Oakland\26817687\09_CADD\Final Design 2011\05_Temporary Working Documents and Sketches\Turf\Figure 6-6.dwg



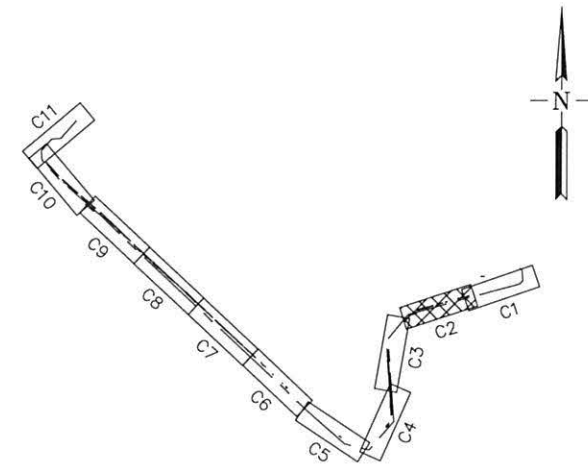
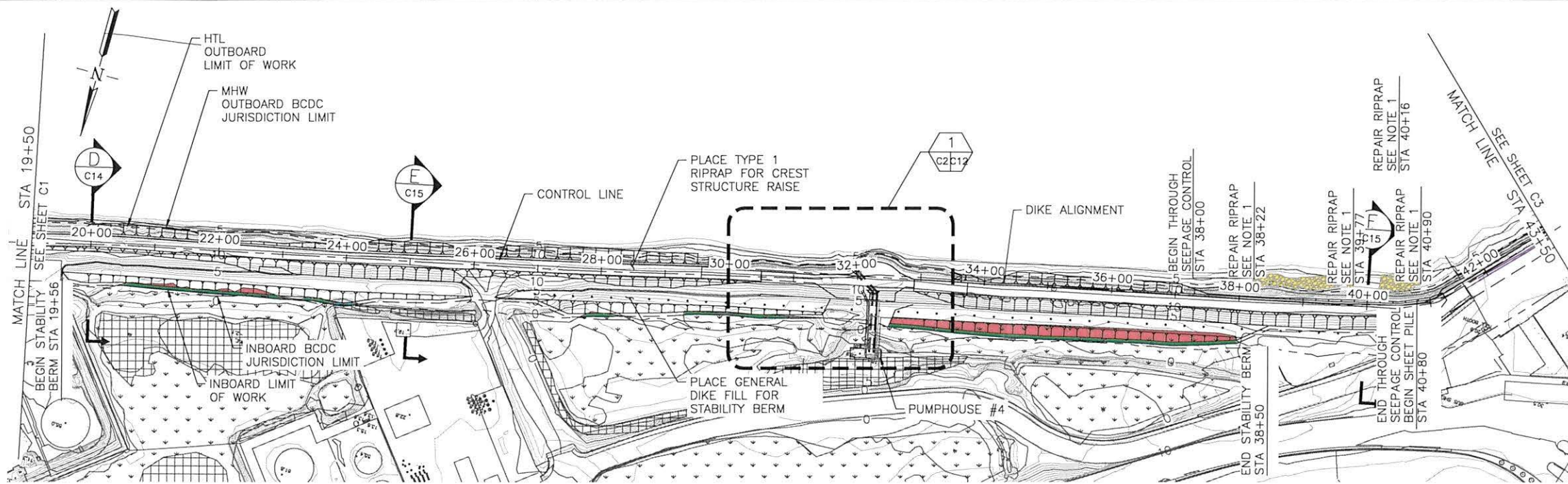
NOTE:

- DRAWING REFERENCE: OAKLAND INTERNATIONAL AIRPORT, USA COE WETLANDS AND WATERS DELINEATION MAP, PORT OF OAKLAND ENGINEERING DIVISION, DATED MARCH 7, 2008.

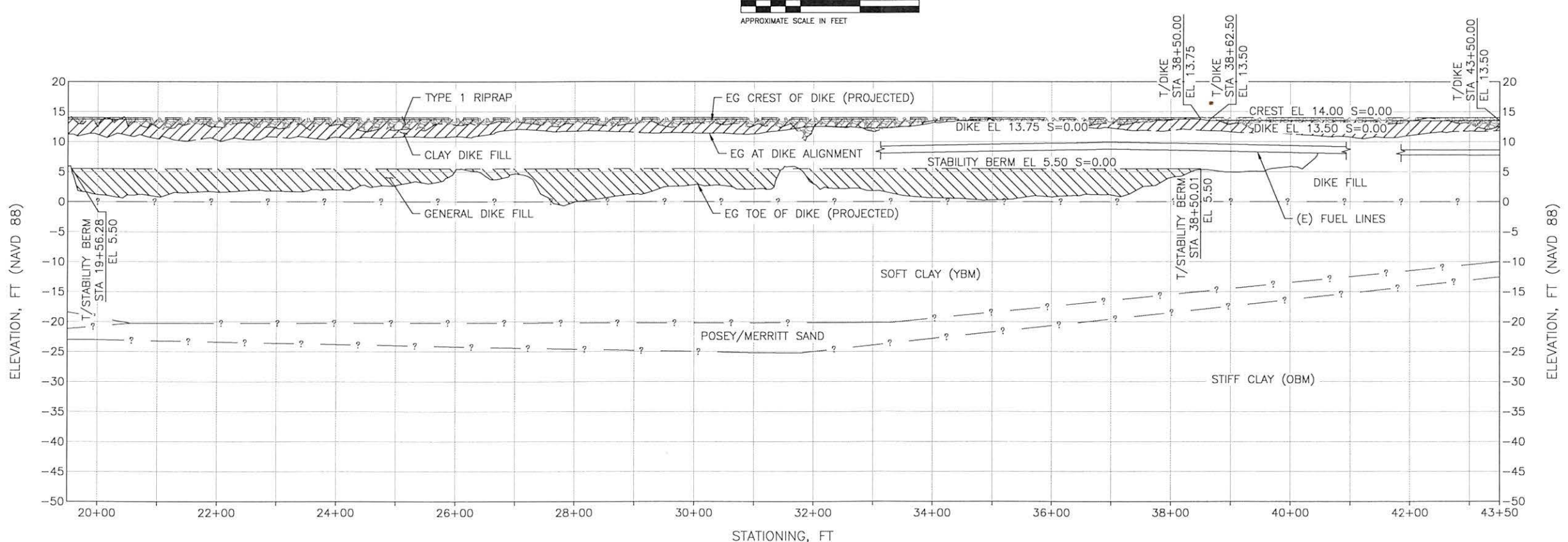


URS	26817687	ESTIMATED WETLAND DISTURBANCE FOR FEMA AND SEISMIC IMPROVEMENTS	FIGURE 6-6
PORT OF OAKLAND OAKLAND AIRPORT PERIMETER DIKE			

FIGURE 3



PLAN
SCALE: 1"=100'
APPROXIMATE SCALE IN FEET



PROFILE
SCALE: 1"=100' H 1"=10' V
APPROXIMATE SCALE IN FEET

- LEGEND**
- PERMANENT NON-TIDAL WETLAND IMPACTS
 - TEMPORARY NON-TIDAL WETLAND IMPACTS
 - PERMANENT NON-TIDAL OTHER WATERS IMPACTS
 - TEMPORARY NON-TIDAL OTHER WATERS IMPACTS
 - OUTBOARD SIDE RIPRAP REPAIRS

- NOTES:**
- REPAIR RIPRAP ON OUTBOARD SLOPE AS DETERMINED IN FIELD BY ENGINEER. RIPRAP BERM SHALL BE A MINIMUM OF 2-FT.

Figure 4 - Wetland, Other Waters, and Outboard Impacts Between Stations 19+50 to 43+50

100% DESIGN NOT FOR CONSTRUCTION	
OAKLAND INTERNATIONAL AIRPORT	
PERIMETER DIKE IMPROVEMENT PROJECT	
DIKE IMPROVEMENTS, STA 19+50 - STA 43+50	
DATE: 08/03/15	SCALE: AS SHOWN
SHEET: 18 OF 44 SHEETS	
C2	AA-XXXX

PRINT DATE: 11-06-15 11:36:06 L:\Projects\Legacy\IE\PortOfOakland\26816413\09_CADD\Final Design 2014\02_Sheets\C - 2.dwg Printed by Steven_Tough

REFERENCES:

PLANS	
FIELD BOOKS	
"PORT OF OAKLAND DATUM" IS 3.20' BELOW N.G.V.D., '29	
CAUTION: CHECK TRACING FOR LATEST REVISIONS	

NO.	REVISIONS	DATE	REV'D	APP'D

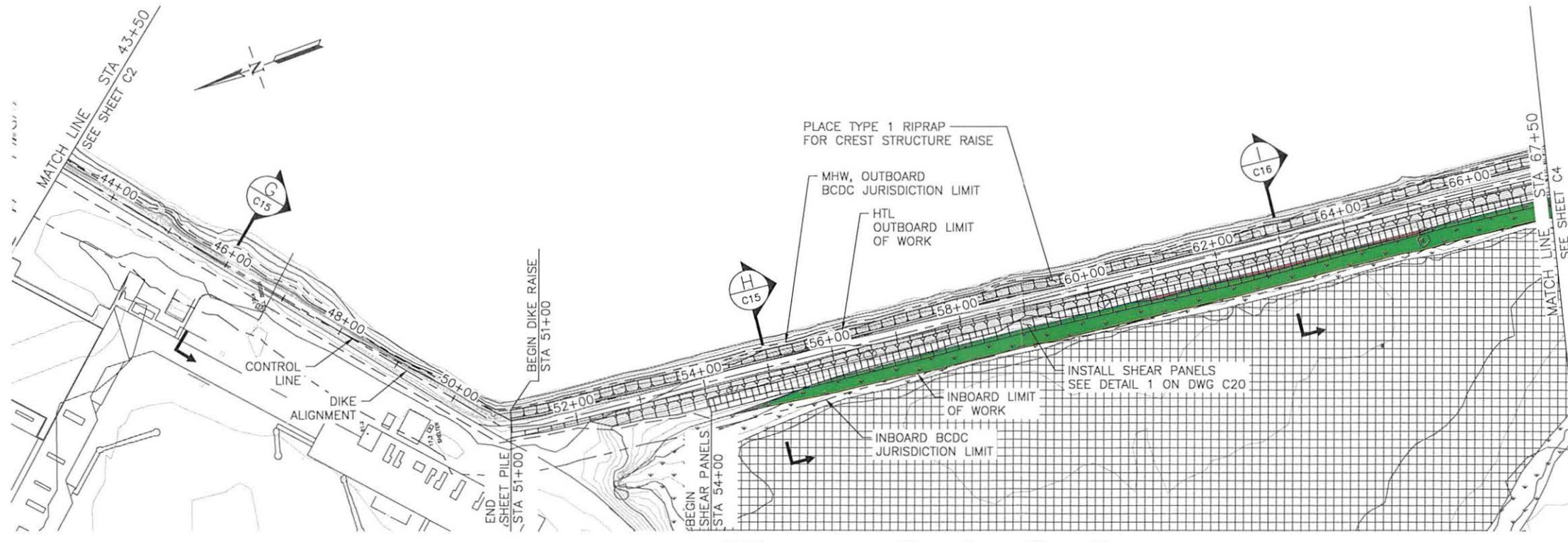
DRAWN	K. LEE
DESIGNED	S. TOUGH
CHECKED	J. ROADIFER

URS
1333 BROADWAY, SUITE 800
OAKLAND, CA 94612
Tel: (510) 893-3600
Fax: (510) 874-3288

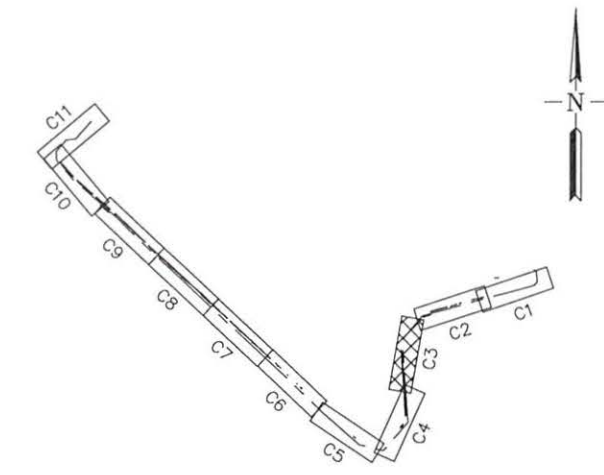
PORT OF OAKLAND
530 WATER ST. OAKLAND, CALIFORNIA

CAUTION: THIS PLAN MAY BE REDUCED



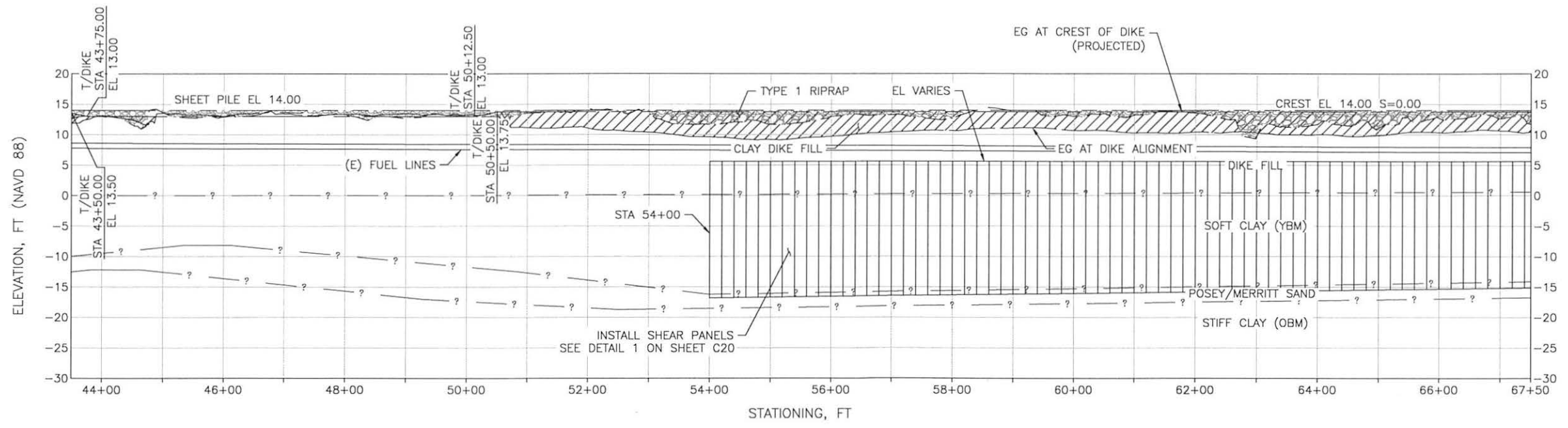


PLAN
SCALE: 1"=100'
APPROXIMATE SCALE IN FEET



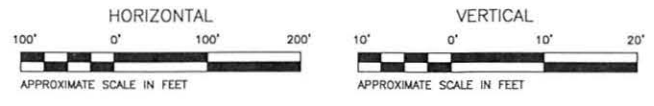
KEYMAP
SCALE: 1"=3000'

- NOTES:**
- TEMPORARY PLATFORMS SHALL BE CONSTRUCTED AND MAINTAINED NO CLOSER THAN 5-FT FROM INBOARD LIMIT OF WORK.



PROFILE
SCALE: 1"=100' H 1"=10' V

- LEGEND**
- PERMANENT NON-TIDAL WETLAND IMPACTS
 - TEMPORARY NON-TIDAL WETLAND IMPACTS
 - PERMANENT NON-TIDAL OTHER WATERS IMPACTS
 - TEMPORARY NON-TIDAL OTHER WATERS IMPACTS



CAUTION: THIS PLAN MAY BE REDUCED ORIGINAL SCALE

REFERENCES:
PLANS
FIELD BOOKS
"PORT OF OAKLAND DATUM"
IS 3.20' BELOW N.G.V.D. '29
CAUTION:
CHECK TRACING FOR LATEST REVISIONS

NO.	REVISIONS	DATE	REV'D	APP'D

DRAWN _____ K. LEE
DESIGNED _____ S. TOUGH
CHECKED _____ J. ROADIFER

URS
1333 BROADWAY, SUITE 800
OAKLAND, CA 94612
Tel: (510) 893-3600
Fax: (510) 874-3268

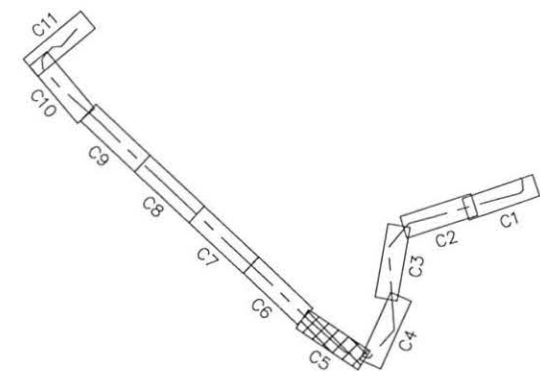
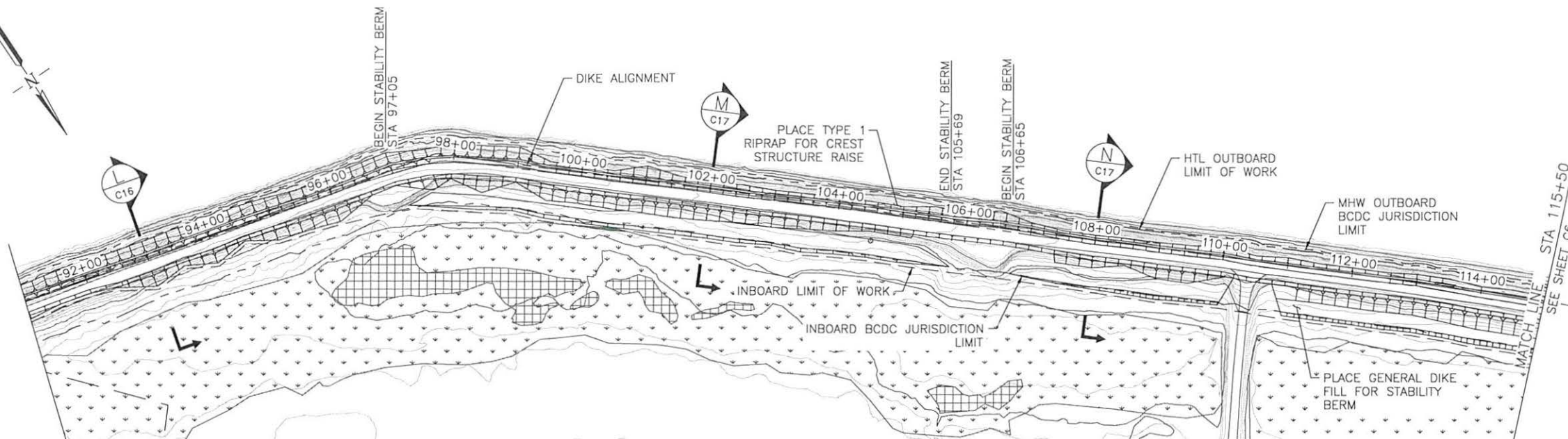
PORT OF OAKLAND
530 WATER ST. OAKLAND, CALIFORNIA

**100% DESIGN
NOT FOR CONSTRUCTION**
OAKLAND INTERNATIONAL AIRPORT
PERIMETER DIKE
IMPROVEMENT PROJECT
DIKE IMPROVEMENTS, STA 43+50 - STA 67+50

Figure 5 - Wetlands and Other Waters Impacts Between Stations 43+50 to 67+50

DATE: 08/03/15
SCALE: AS SHOWN
SHEET: 19 OF 44 SHEETS
C3 AA-XXXX

PRINT DATE: 11-06-15 12:05:45 L:\Projects\Legacy\IE\PortOfOakland\26816413\09_CADD\Final Design 2014\02_Sheets\C - 3.dwg Printed by Stevens_Tough

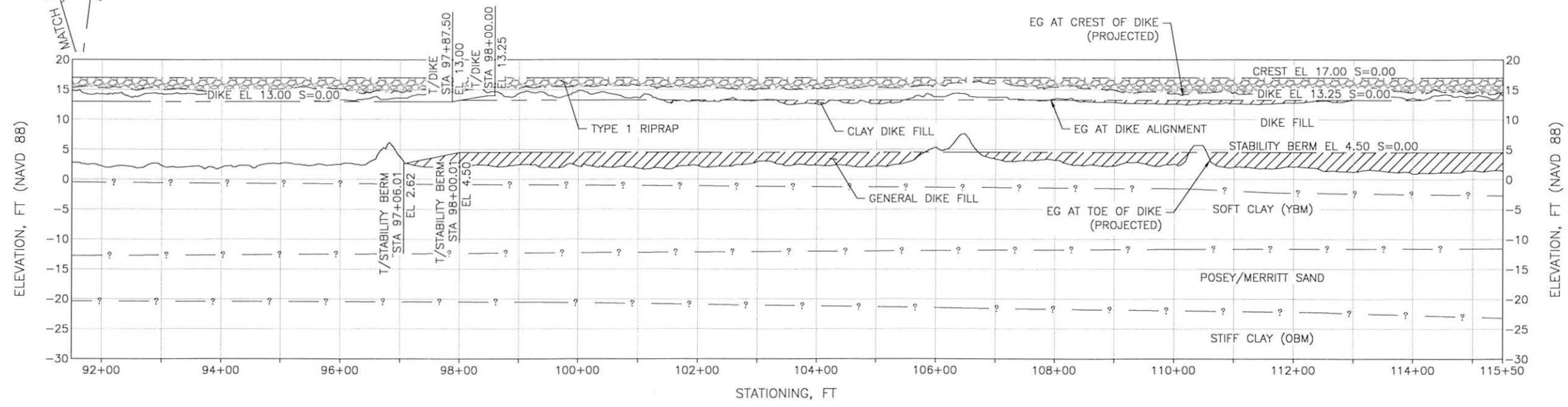


KEYMAP
SCALE: 1"=3000'

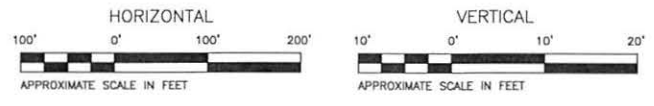
PLAN
SCALE: 1"=100'



50:1 PRECISION APPROACH SURFACE



PROFILE
SCALE: 1"=100' H 1"=10' V



- LEGEND**
- PERMANENT NON-TIDAL WETLAND IMPACTS
 - TEMPORARY NON-TIDAL WETLAND IMPACTS
 - PERMANENT NON-TIDAL OTHER WATERS IMPACTS
 - TEMPORARY NON-TIDAL OTHER WATERS IMPACTS

Figure 7 - Wetlands and Other Waters Impacts Between Stations 91+50 to 115+50

REFERENCES:
PLANS
FIELD BOOKS
"PORT OF OAKLAND DATUM" IS 3.20' BELOW N.G.V.D. '29
CAUTION:
CHECK TRACING FOR LATEST REVISIONS

NO.	REVISIONS	DATE	REV'D	APP'D

DRAWN _____ K. LEE
DESIGNED _____ S. TOUGH
CHECKED _____ J. ROADIFER

URS
1333 BROADWAY, SUITE 800
OAKLAND, CA 94612
Tel: (510) 893-3600
Fax: (510) 874-3268

PORT OF OAKLAND
530 WATER ST. OAKLAND, CALIFORNIA

CAUTION: THIS PLAN MAY BE REDUCED

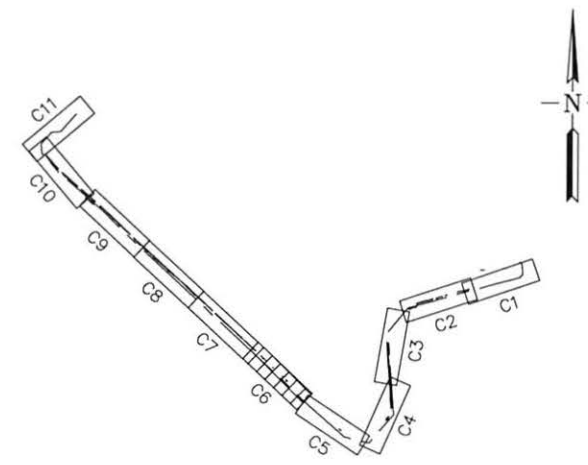
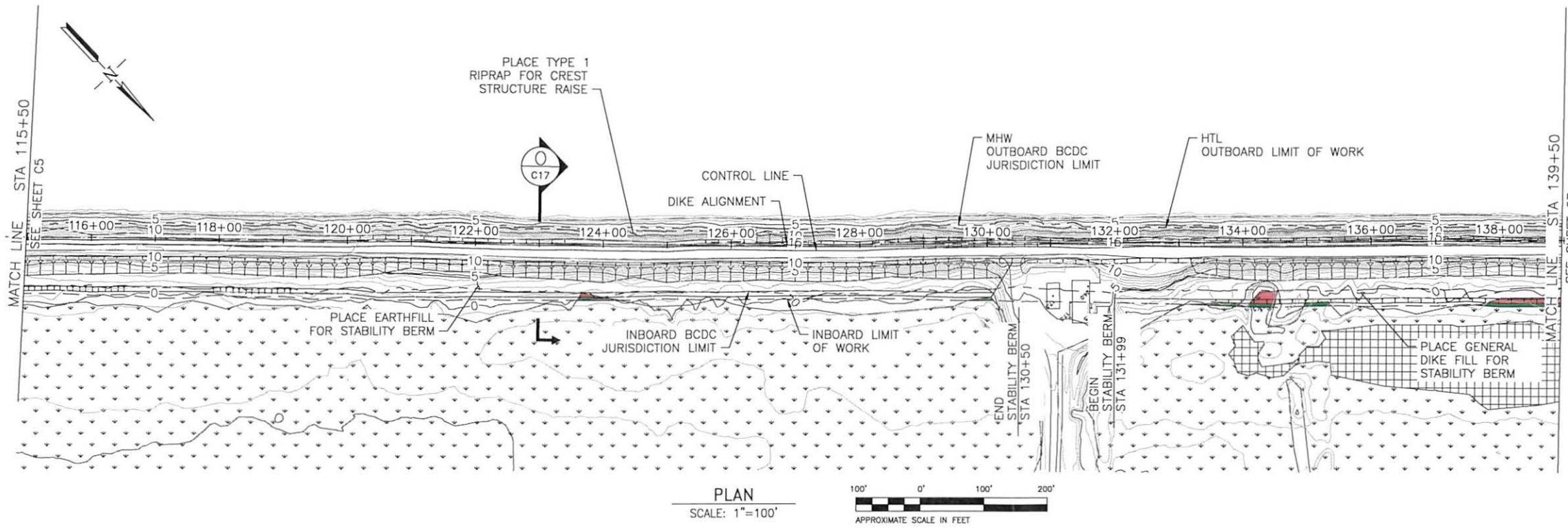


**100% DESIGN
NOT FOR CONSTRUCTION**

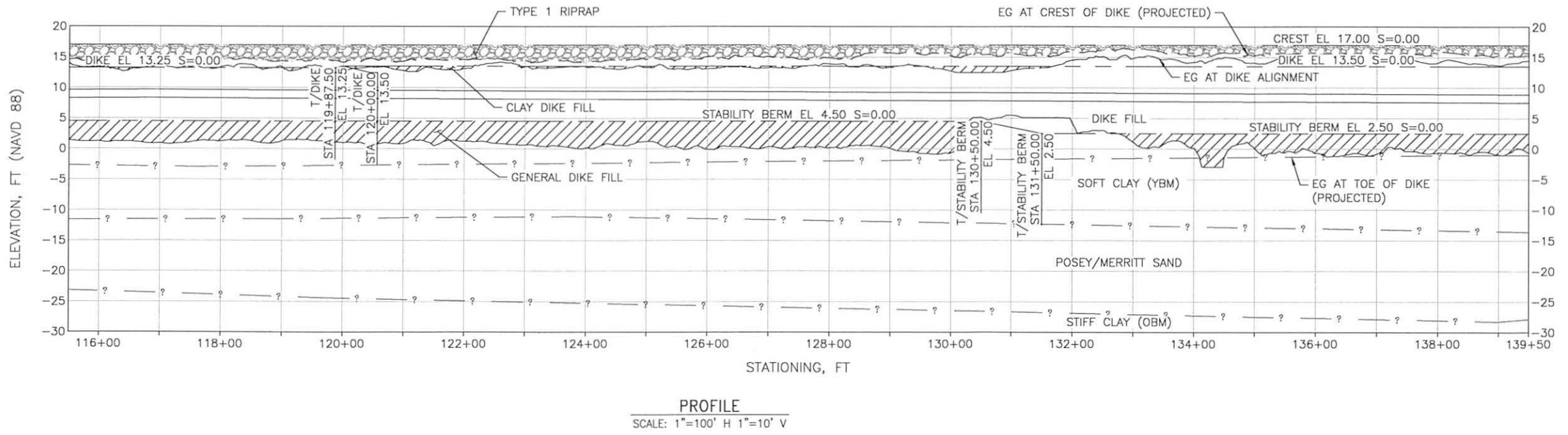
OAKLAND INTERNATIONAL AIRPORT
PERIMETER DIKE IMPROVEMENT PROJECT
DIKE IMPROVEMENTS, STA 91+50 - STA 115+50

DATE: 08/03/15
SCALE: AS SHOWN
SHEET: 21 OF 44 SHEETS
C5 AA-XXXX

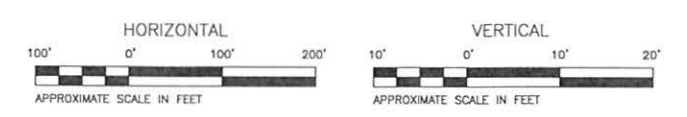
PRINT DATE: 11-06-15 12:16:40 L:\Projects\Legacy\IE\PortOfOakland\26816413\09_CADD\Final Design 2014\02_Sheets\C - 5.dwg Printed by Steven_Tough



KEYMAP
SCALE: 1"=3000'



- LEGEND**
- PERMANENT NON-TIDAL WETLAND IMPACTS
 - TEMPORARY NON-TIDAL WETLAND IMPACTS
 - PERMANENT NON-TIDAL OTHER WATERS IMPACTS
 - TEMPORARY NON-TIDAL OTHER WATERS IMPACTS



PRINT DATE: 11-06-15 12:27:35 L:\Projects\Legacy\IE\PortOakland\26816413\09_CADD\Final Design 2014\02_Sheets\C - 6.dwg Printed by Steven_Tough

Figure 8- Wetlands and Other Waters Impacts Between Stations 115+50 to 139+50

100% DESIGN NOT FOR CONSTRUCTION	
OAKLAND INTERNATIONAL AIRPORT	
PERIMETER DIKE IMPROVEMENT PROJECT	
DIKE IMPROVEMENTS, STA 115+50 - STA 139+50	
DATE: 08/03/15	AA-XXXX
SCALE: AS SHOWN	
SHEET: 22 OF 44 SHEETS	

REFERENCES:	NO.	REVISIONS	DATE	REV'D	APP'D
PLANS					
FIELD BOOKS					
PORT OF OAKLAND DATUM IS 3.20' BELOW N.G.V.D. '29					
CAUTION: CHECK TRACING FOR LATEST REVISIONS					

DRAWN: K. LEE	URS	1333 BROADWAY, SUITE 800 OAKLAND, CA 94612 Tel: (510) 893-3600 Fax: (510) 874-3288	PORT OF OAKLAND 530 WATER ST. OAKLAND, CALIFORNIA
DESIGNED: S. TOUGH			
CHECKED: J. ROADIFER			

CAUTION: THIS PLAN MAY BE REDUCED ORIGINAL SCALE