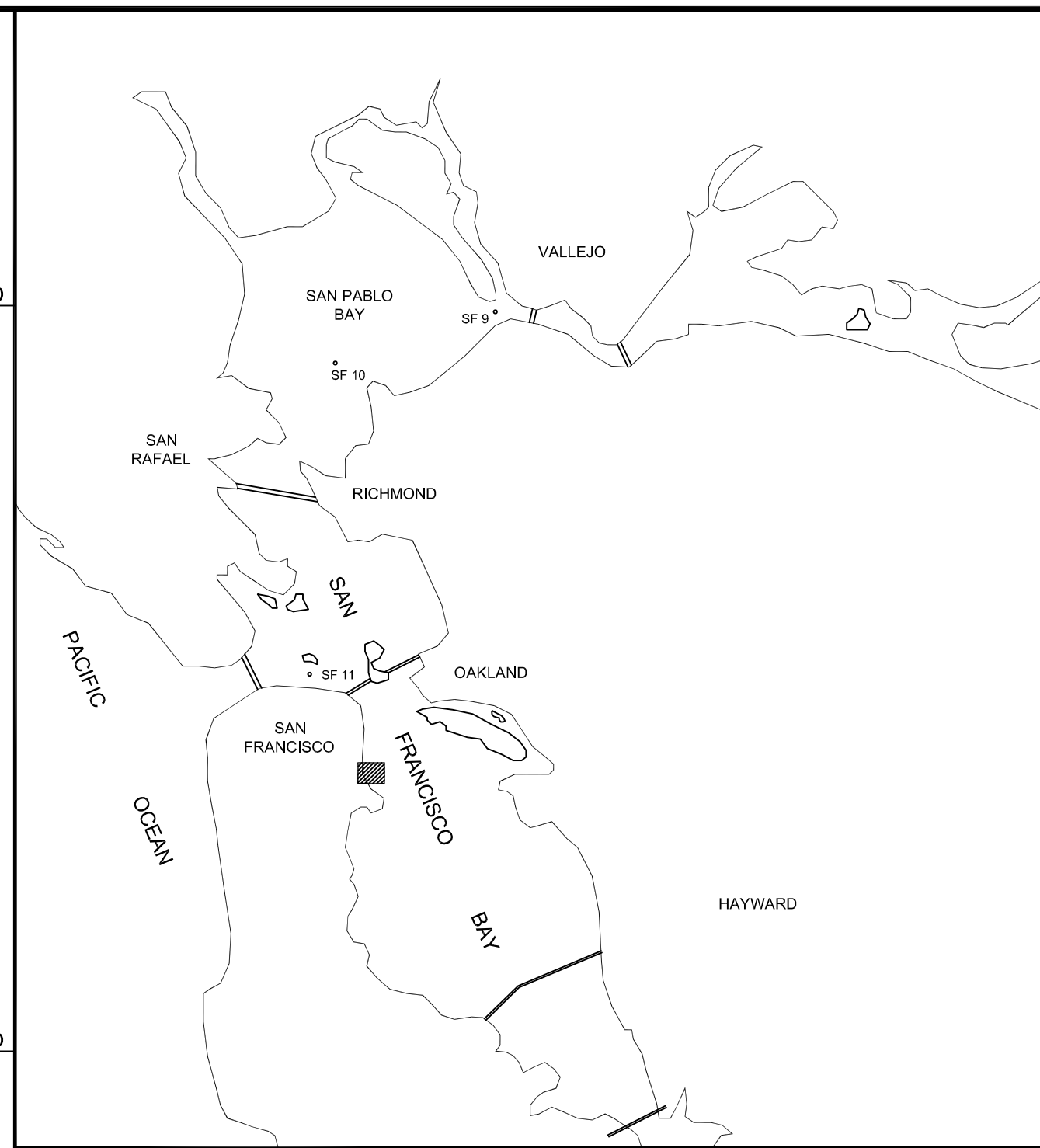


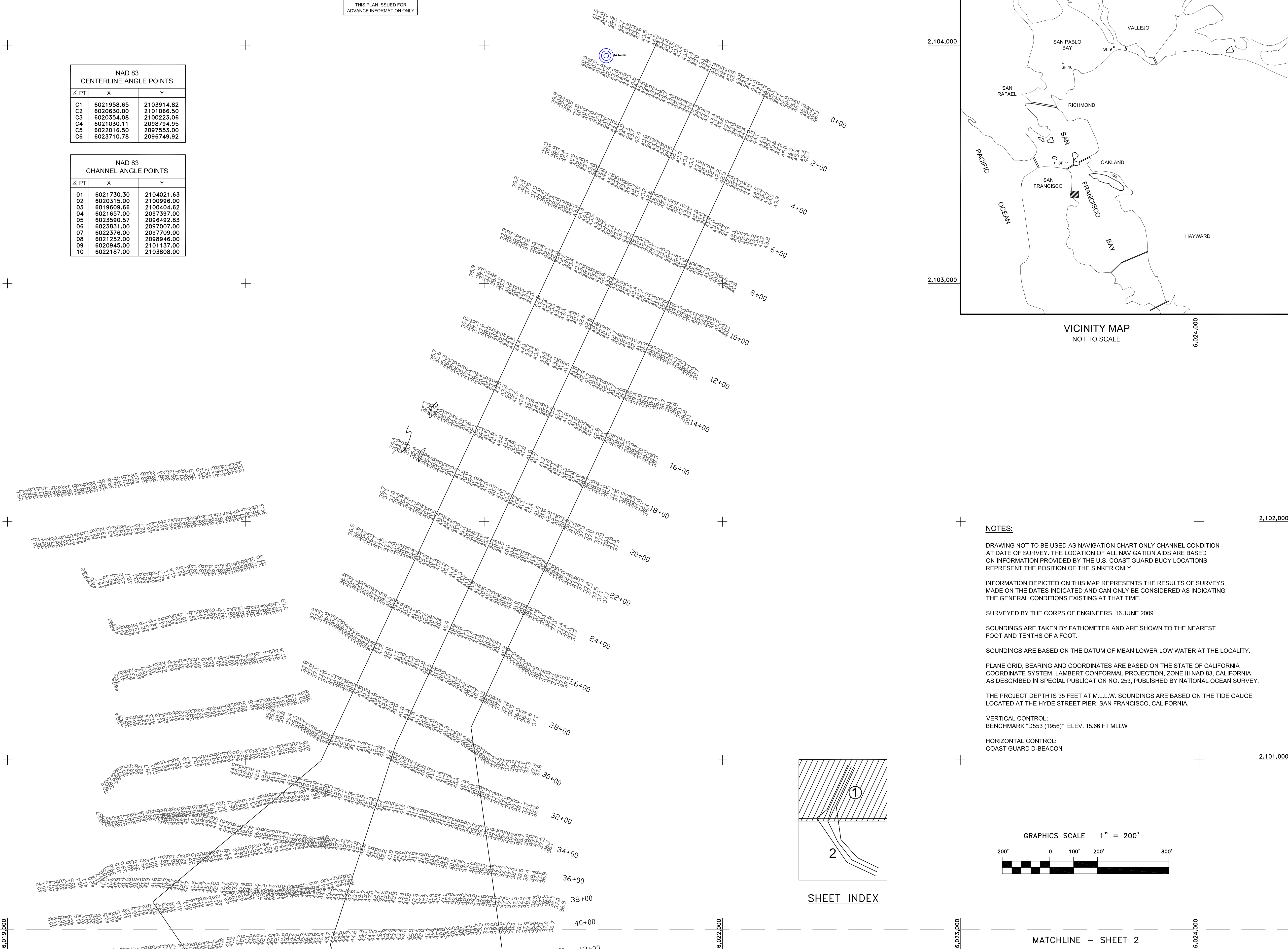
PRELIMINARY ISSUE
THIS PLAN ISSUED FOR
ADVANCE INFORMATION ONLY

NAD 83 CENTERLINE ANGLE POINTS		
∠ PT	X	Y
C1	6021958.65	2103914.82
C2	6020630.00	2101066.50
C3	6020354.08	2100223.06
C4	6021030.11	2098794.95
C5	6022016.50	2097553.00
C6	6023710.78	2096749.92

NAD 83 CHANNEL ANGLE POINTS		
∠ PT	X	Y
01	6021730.30	2104021.63
02	6020315.00	2100996.00
03	6019609.66	2100404.62
04	6021657.00	2097397.00
05	6023590.57	2096492.83
06	6023831.00	2097007.00
07	6022376.00	2097709.00
08	6021252.00	2098946.00
09	6020945.00	2101137.00
10	6022187.00	2103808.00



VICINITY MAP
NOT TO SCALE



NOTES:

DRAWING NOT TO BE USED AS NAVIGATION CHART ONLY CHANNEL CONDITION AT DATE OF SURVEY. THE LOCATION OF ALL NAVIGATION AIDS ARE BASED ON INFORMATION PROVIDED BY THE U.S. COAST GUARD BUOY LOCATIONS REPRESENT THE POSITION OF THE SINKER ONLY.

INFORMATION DEPICTED ON THIS MAP REPRESENTS THE RESULTS OF SURVEYS MADE ON THE DATES INDICATED AND CAN ONLY BE CONSIDERED AS INDICATING THE GENERAL CONDITIONS EXISTING AT THAT TIME.

SURVEYED BY THE CORPS OF ENGINEERS, 16 JUNE 2009.

SOUNDINGS ARE TAKEN BY FATHOMETER AND ARE SHOWN TO THE NEAREST FOOT AND TENTHS OF A FOOT.

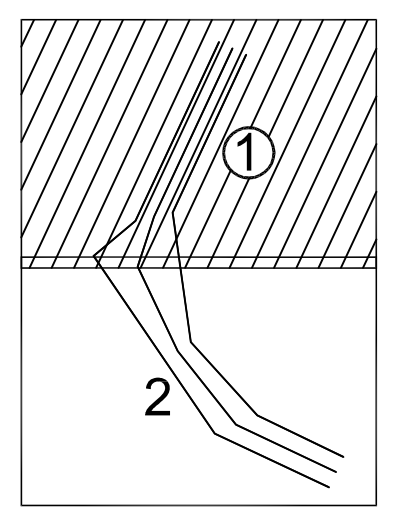
SOUNDINGS ARE BASED ON THE DATUM OF MEAN LOWER LOW WATER AT THE LOCALITY.

PLANE GRID, BEARING AND COORDINATES ARE BASED ON THE STATE OF CALIFORNIA COORDINATE SYSTEM, LAMBERT CONFORMAL PROJECTION, ZONE III NAD 83, CALIFORNIA, AS DESCRIBED IN SPECIAL PUBLICATION NO. 253, PUBLISHED BY NATIONAL OCEAN SURVEY.

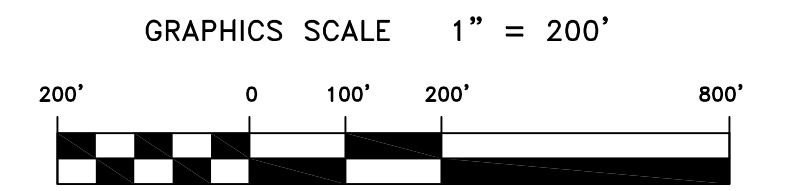
THE PROJECT DEPTH IS 35 FEET AT M.L.L.W. SOUNDINGS ARE BASED ON THE TIDE GAUGE LOCATED AT THE HYDE STREET PIER, SAN FRANCISCO, CALIFORNIA.

VERTICAL CONTROL:
BENCHMARK "D553 (1956)" ELEV. 15.66 FT MLLW

HORIZONTAL CONTROL:
COAST GUARD D-BEACON



SHEET INDEX



MATCHLINE - SHEET 2

US Army Corps
of Engineers
San Francisco District
1455 Market Street
San Francisco, CA 94103

Mark	Description	Date	Appr.

DESIGNED BY:	CHECKED BY:	DRAWN BY:
PC Hydro Survey Team Leader	TJV TJV	XXX XXX
DATE:	SHEET NO.	DRAWING NO.
	1 OF 2	1 2 XXX
PREPARED UNDER THE DIRECTION OF LAURENCE M. FARRELL LT. COLONEL, C.E., DISTRICT ENGINEER		

CALIFORNIA
SAN FRANCISCO BAY
ISLAIS CREEK SHOAL CHANNEL
CONDITION SURVEY
16 JUNE 2009

Sheet
reference
number
C1