

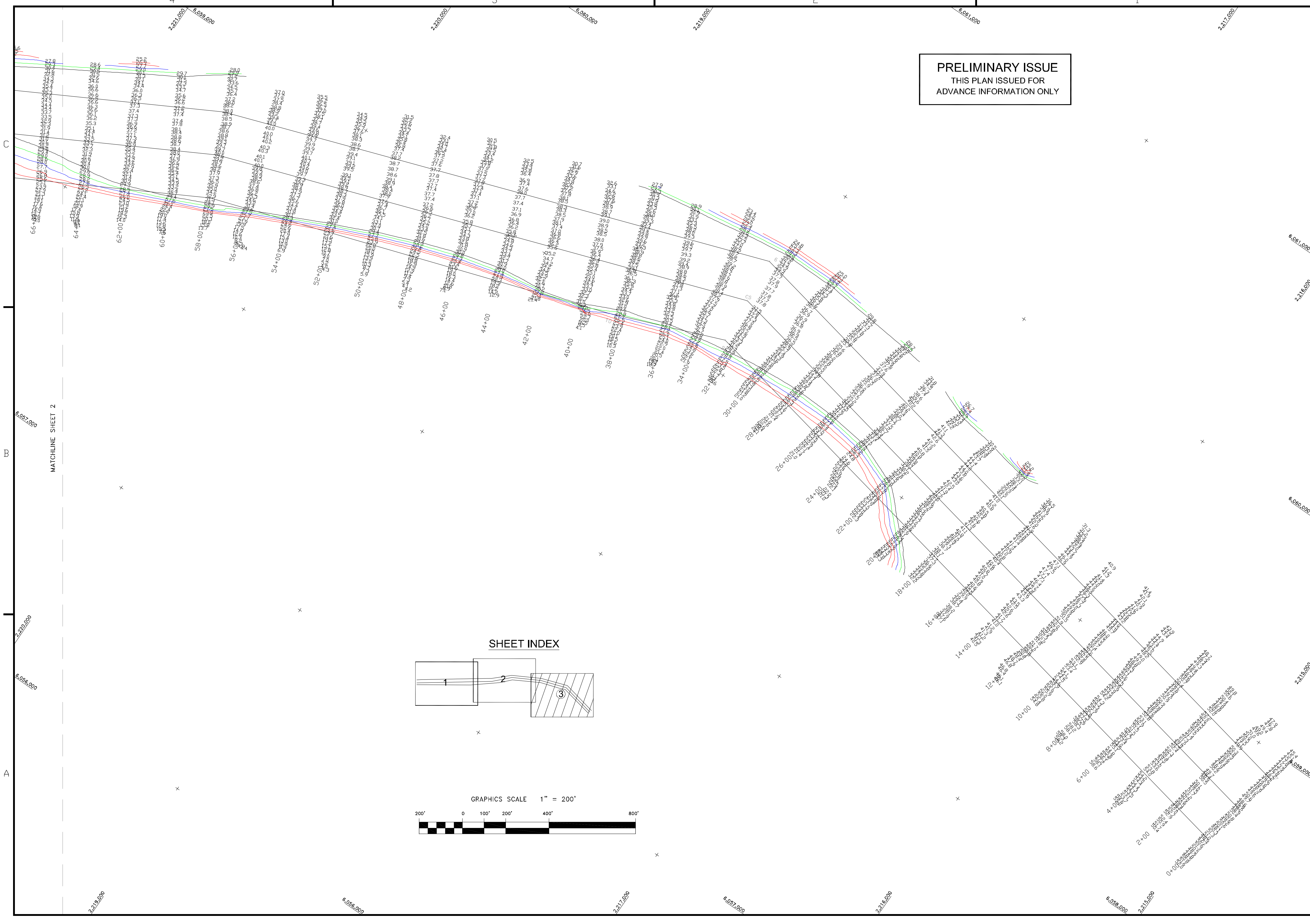
PRELIMINARY ISSUE
 THIS PLAN ISSUED FOR
 ADVANCE INFORMATION ONLY

Mark	Description	Date	Appr.

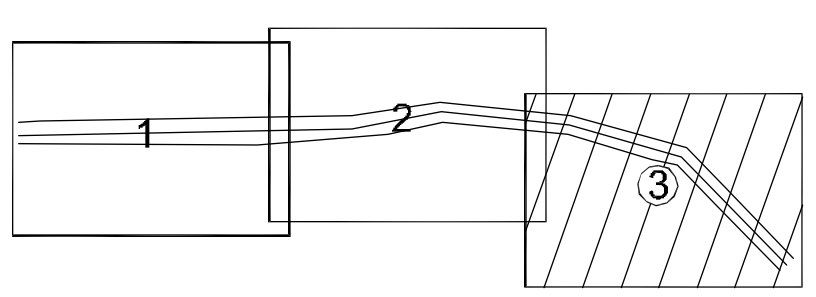
SUBMITTED: MC	DESIGNED BY:	CHECKED BY:	DRAWN BY:
	Hydro Survey Team Leader	TYW	EVC
APPROVAL RECOMMENDED:	DATE:	SHEET NO.	DRAWING NO.
Chief, Technical Support Section	8/14/2008	3 OF 3	51 2
APPROVED:	PREPARED UNDER THE DIRECTION OF	DATE	
Chief, Construction Branch	LAURENCE M. FARRELL	9 JULY 2008	
	LT. COLONEL, C.E., DISTRICT ENGINEER		

CALIFORNIA
MARE ISLAND STRAIT
 CONDITION SURVEY
 24 & 26 JUNE
 9 JULY 2008

Sheet reference number
C3



SHEET INDEX



GRAPHICS SCALE 1" = 200'
