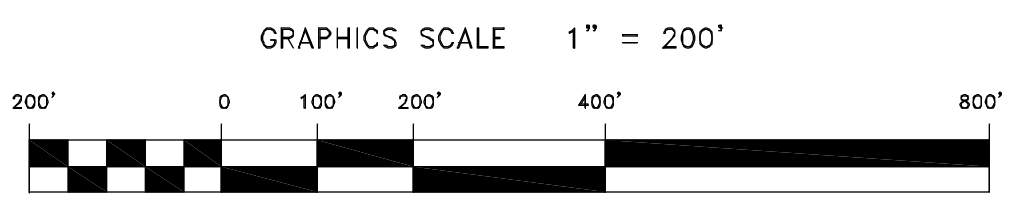
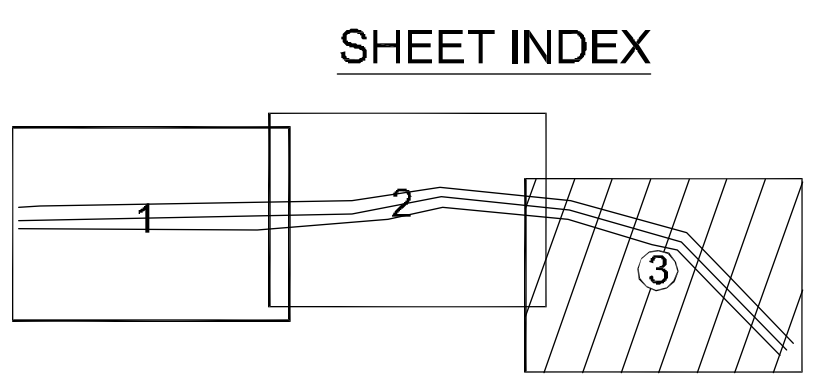
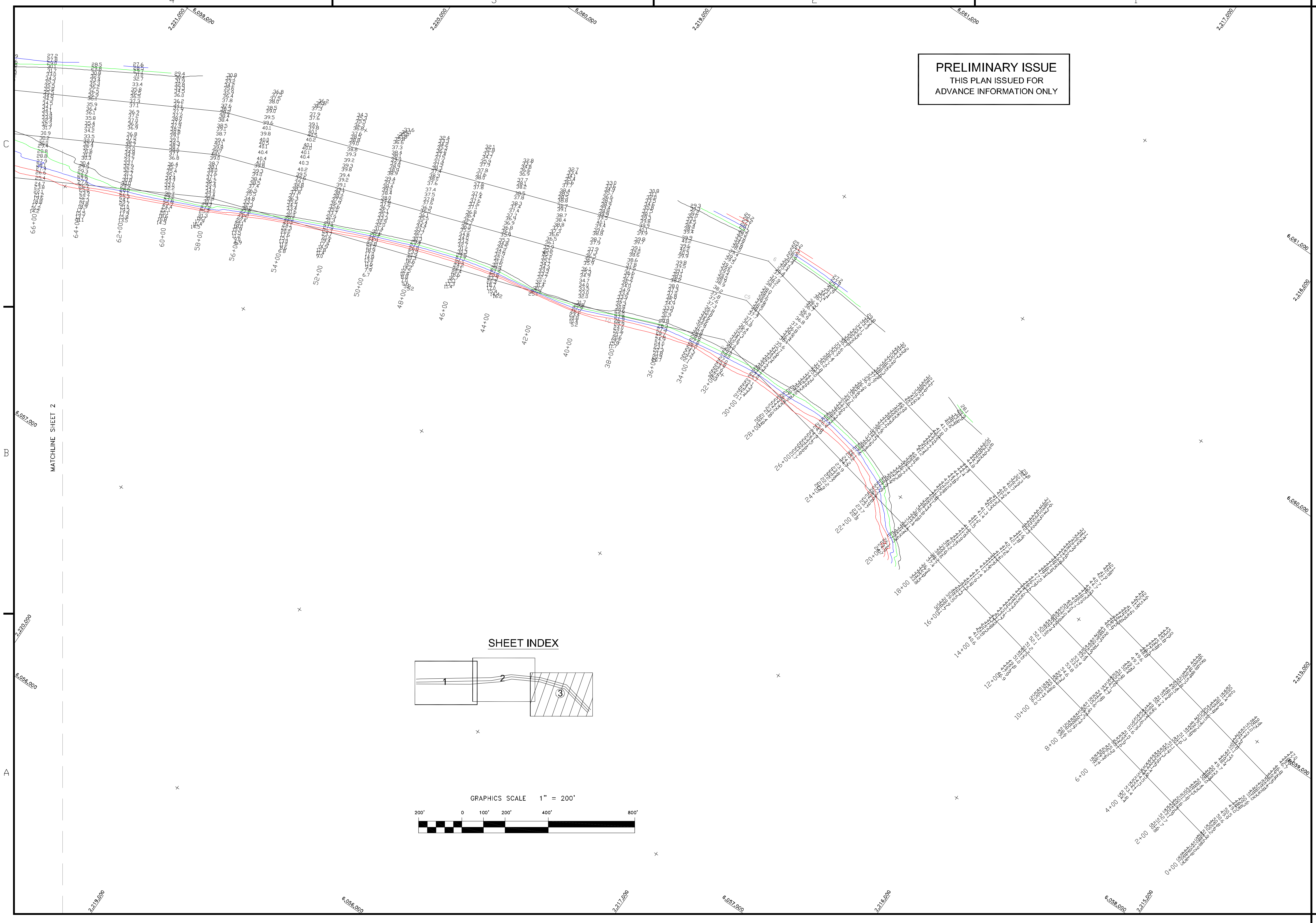


PRELIMINARY ISSUE
THIS PLAN ISSUED FOR
ADVANCE INFORMATION ONLY



US Army Corps of Engineers
San Francisco District
1455 Market Street
San Francisco, CA 94103

Mark	Description	Date	Appr.

SUBMITTED: MC	DESIGNED BY: TVW	CHECKED BY: EWC	DRAWN BY: EWC
Hydro Survey Team Leader	DATE: 8/14/2008	SHEET NO. 3 OF 3	DRAWING NO. 51 2 446
APPROVAL RECOMMENDED:	PREPARED UNDER THE DIRECTION OF		
Chief, Technical Support Section	LAURENCE M. FARRELL		
APPROVE:	LT. COLONEL, C.E., DISTRICT ENGINEER		
Chief, Construction Branch			

SOLANO COUNTY CALIFORNIA
MARE ISLAND STRAIT
CONDITION SURVEY
17 AUGUST 2007

Sheet reference number
C3