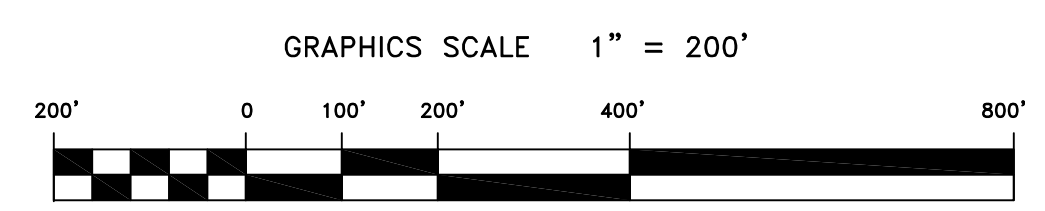
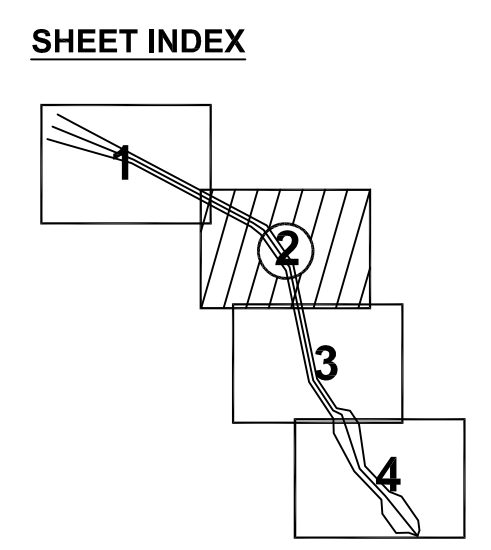
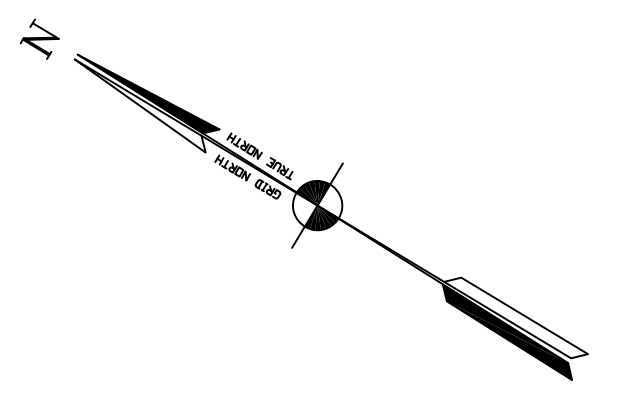


PRELIMINARY ISSUE  
 THIS PLAN ISSUED FOR  
 ADVANCE INFORMATION ONLY



US Army Corps  
 of Engineers  
 San Francisco District  
 1455 Market Street  
 San Francisco, CA 94103

--	--

Mark	Description	Date	Appr.

SUBMITTED:	MC	DESIGNED BY:	TYW	DRAWN BY:	EWC

SAN MATEO COUNTY CALIFORNIA  
 REDWOOD CITY  
 PREDREGGE SURVEY  
 28 OCTOBER 2008

Sheet  
 reference  
 number  
**C2**