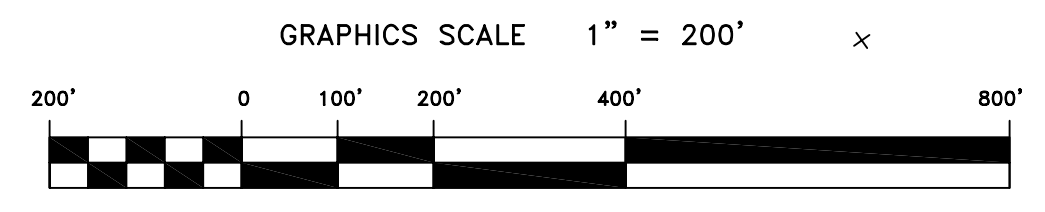
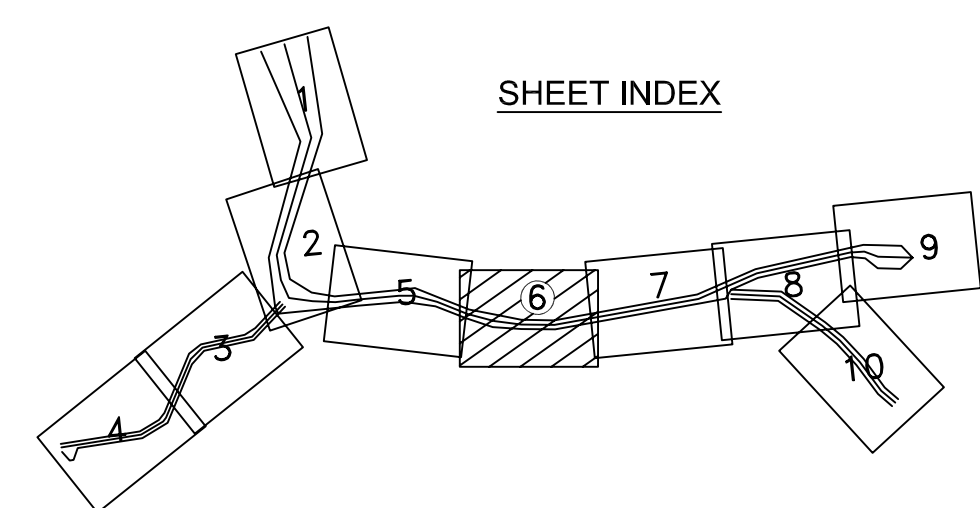


PRELIMINARY ISSUE  
THIS PLAN ISSUED FOR  
ADVANCE INFORMATION ONLY



**US Army Corps of Engineers**  
San Francisco District  
333 Market Street  
San Francisco, CA 94105

Mark	Description	Date	Appr.

SUBMITTED: MC Hiro Survey Team Leader	DESIGNED BY: TVW	CHECKED BY: EWC
	APPROVAL RECOMMENDED: DATE: 2/22/2007	DRAWING NO. 6 OF 10
APPROVED: [Signature]	PREPARED UNDER THE DIRECTION OF: CRAIG W. KILEY	
	LT. COLONEL, C.E., DISTRICT ENGINEER	

HUMBOLDT COUNTY CALIFORNIA  
**HUMBOLDT BAY NORTH BAY CHANNEL CONDITION SURVEY**  
4-5, 7 & 10 FEBRUARY 2007

Sheet reference number  
**C6**