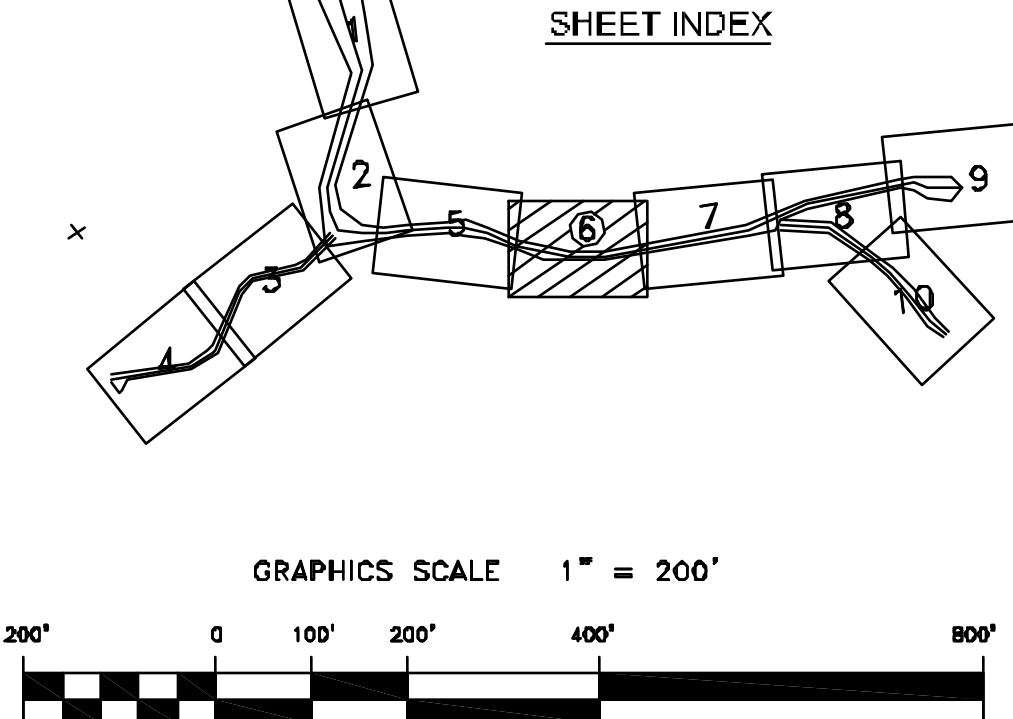


PRELIMINARY ISSUE
RE PLAN SHALL BE
ADVANCE NOTIFICATION

LEGEND:

—	-38'
—	-37'
—	-36'
—	-35'
—	-34'



US Army Corps of Engineers
San Francisco District
455 Market Street
San Francisco, CA 94103

Mark	Description	Date	Appr.

SUBMITTED: PDI Hydro Survey Team Leader	DESIGNED BY: PDI	CHECKED BY: PDI	DRAWN BY: PDI
APPROVAL RECOMMENDED:	DATE: 8/2/2011	SHEET NO.: 6 OF 10	DRAWING NO.: X XXX
APPROVED:	PREPARED UNDER THE DIRECTION OF TORREY A. DICIRO LT. COLONEL, C.E., DISTRICT ENGINEER		

HUMBOLDT COUNTY
HUMBOLDT BAY
NORTH BAY CHANNEL
POSTDRUDGE SURVEY
16 JULY 2011

Sheet reference number
C6