

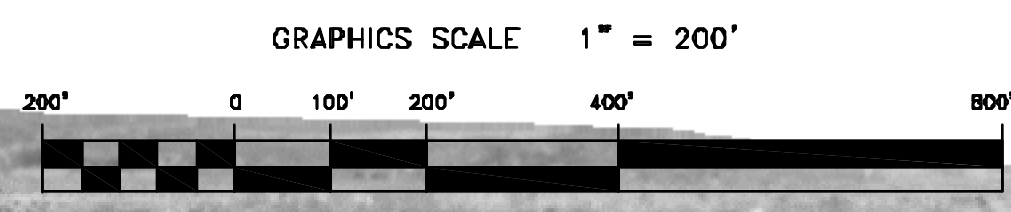
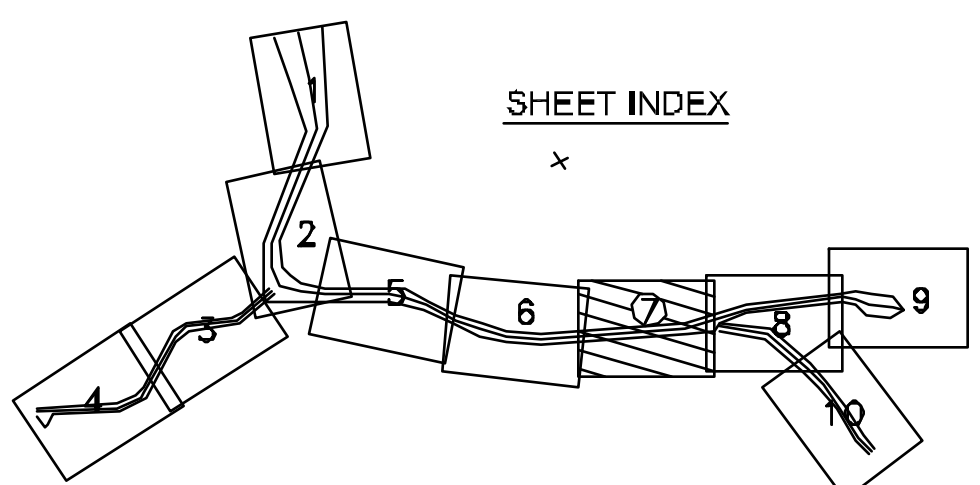
NAD 1983
CENTERLINE ANGLE POINTS
SOMQA CHANNEL

PT	X	Y
D1	5845041.83	2155375.43
D2	5845025.38	2155384.83
D3	5841995.79	2151533.93
D4	5845035.99	2150943.23
D5	5845041.03	2150922.83
D6	5845022.79	2150414.73
D7	5845020.99	2151293.73
D8	5841995.79	2151533.93

NAD 1983
CHANNEL ANGLE POINTS
SOMQA CHANNEL

PT	X	Y
D1	5845294.99	2155943.38
D2	5845035.99	2155943.38
D3	5845071.03	2151921.73
D4	5844315.79	2151533.93
D5	5844849.99	2151025.83
D6	5845320.29	2150933.73
D7	5845143.59	2150235.73
D8	5845373.29	2151338.73
D9	5844832.99	2151223.33
D10	5845142.49	2151017.33
D11	5845040.99	2151203.83
D12	5845175.59	2151275.38
D13	5845171.89	2151719.88
D14	5845658.09	2151223.83
D15	5845751.99	2150324.73
D16	5845307.39	2150398.38
D17	5845173.89	2150221.73
D18	5845032.99	2150933.93
D19	5845033.99	2150933.33

PRELIMINARY ISSUE
NO PLAN OR DESIGN
ADVANCE TO FIELD WORK



LEGEND:

(Red line)	-38'
(Green line)	-37'
(Blue line)	-36'
(Cyan line)	-35'
(Magenta line)	-34'

US Army Corps
of Engineers
San Francisco District
1455 Market Street
San Francisco, CA 94103

Mark	Description	Date	Appr.

DESIGNED BY:	CHECKED BY:	DRAWN BY:
PDT	PDT	PDT
DATE:	SHEET NO.:	DRAWING NO.:
3/7/2010	7 OF 10	X XXX
PREPARED UNDER THE DIRECTION OF TORREY A. DICIRO		
LT. COLONEL, C.E., DISTRICT ENGINEER		

CALIFORNIA
HUMBOLDT COUNTY
HUMBOLDT BAY
NORTH BAY & SAMOA CHANNEL
CONDITION SURVEY
1-2, 5-6 MARCH 2011

Sheet
reference
number
C7