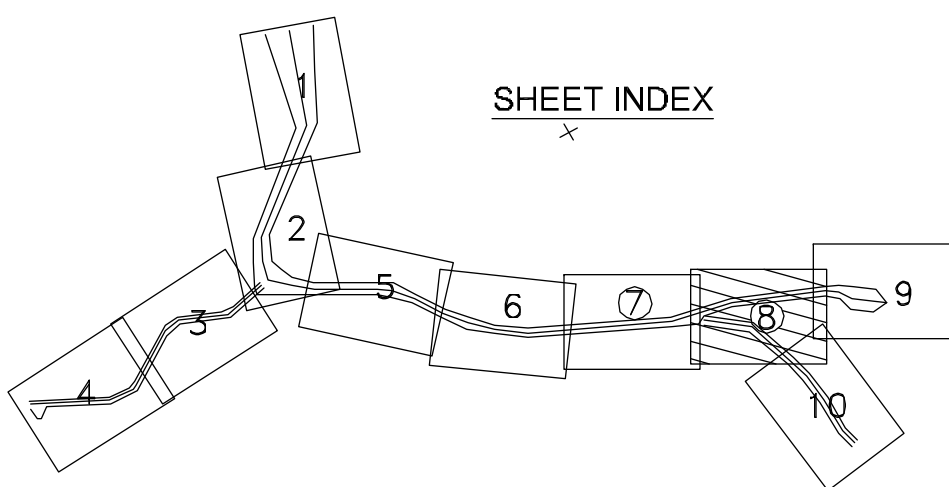
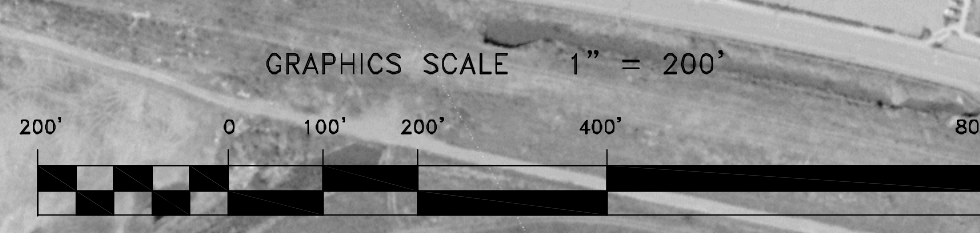


PRELIMINARY ISSUE
THIS PLAN ISSUED FOR
ADVANCE INFORMATION ONLY

NAD 1983 CENTERLINE ANGLE POINTS EUREKA CHANNEL			
POINT	X	Y	
E1	5956340.60	2181760.27	
E2	5957627.90	2183431.17	
E3	5959751.10	2184199.67	
E4	5960697.30	2184445.27	
E5	5961961.30	2184628.47	
E6	5963519.70	2184640.17	
E7	5964294.40	2184655.97	

NAD 1983 CHANNEL ANGLE POINTS EUREKA CHANNEL			
POINT	X	Y	
1E	5956172.99	2181652.18	
2E	5957469.79	2183326.43	
3E	5959682.09	2184373.53	
4E	5960648.49	2184617.54	
5E	5961936.19	2184796.03	
6E	5963485.19	2184839.53	
7E	5964225.19	2185019.53	
8E	5964924.49	2184831.13	
9E	5963537.79	2184438.83	
10E	5961968.09	2184396.83	
11E	5960727.59	2184224.73	
12E	5959901.89	2183978.43	
13E	5957741.49	2183252.93	
14E	5956489.79	2181808.03	



US Army Corps
of Engineers
San Francisco District
1455 Market Street
San Francisco, CA 94103

Mark	Description	Date	Appr.

SUBMITTED: PC	DESIGNED BY:	CHECKED BY: DRAWN BY:	
		TYW	EWC
Holt Survey Team Leader	DATE:	SHEET NO.	DRAWING NO.
Chaf, Technical Support Section	PREPARED UNDER THE DIRECTION OF	8 OF 10	5 2
APPROVED:	LAURENCE M. FARRELL		326
Chaf, Construction Branch	LT. COLONEL, C.E., DISTRICT ENGINEER		

HUMBOLDT COUNTY
CALIFORNIA
HUMBOLDT BAY
SAMOA & EUREKA CHANNEL
PREDECESSOR SURVEY
26 FEBRUARY - 1 MARCH 2009

Sheet reference number
C8