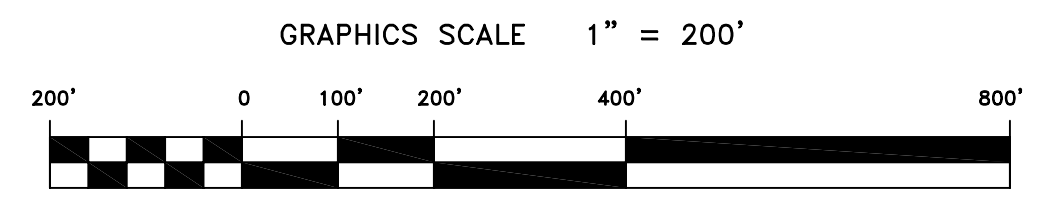
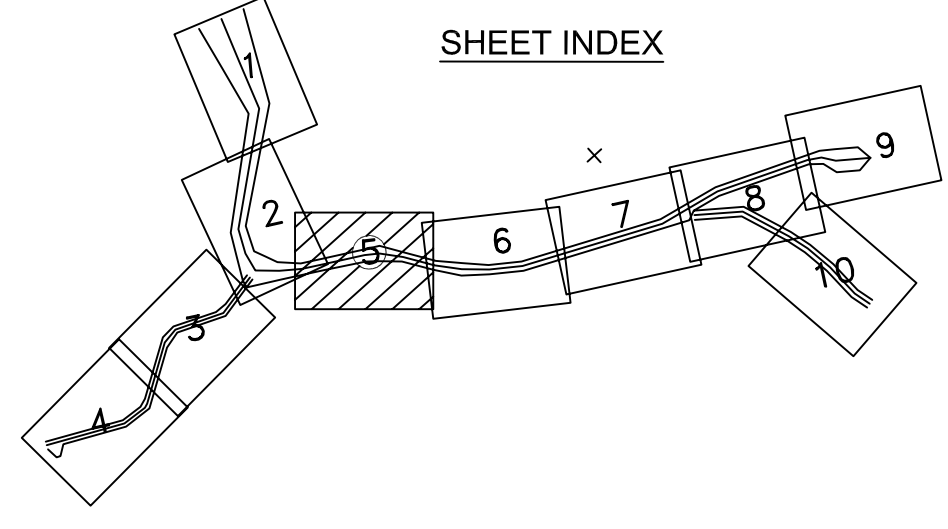



PRELIMINARY ISSUE
THIS PLAN ISSUED FOR:
ADVANCE INFORMATION ONLY




US Army Corps
of Engineers
San Francisco District
333 Market Street
San Francisco, CA 94105

Mark	Description	Date	Appr.

SUBMITTED:	DESIGNED BY:	CHECKED BY:	DRAWN BY:
	Hydro Survey Team Leader	TVW	EWC
APPROVAL RECOMMENDED:	DATE:	SHEET NO.	DRAWING NO.
	6/14/2007	5 OF 10	2 322
APPROVED:	PREPARED UNDER THE DIRECTION OF		
Chief, Construction Branch	CRAIG W. KILEY		
	LT. COLONEL, C.E., DISTRICT ENGINEER		

HUMBOLDT COUNTY CALIFORNIA
HUMBOLDT BAY
NORTH BAY CHANNEL
POST-DREDGE SURVEY
26 MAY - 2 JUNE 2007

Sheet reference number
C5