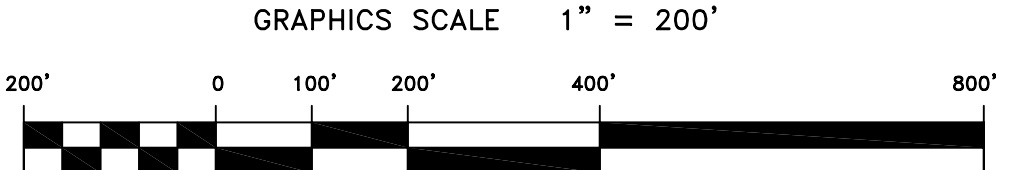


NAD 1983
CENTERLINE ANGLE POINTS
EUREKA CHANNEL

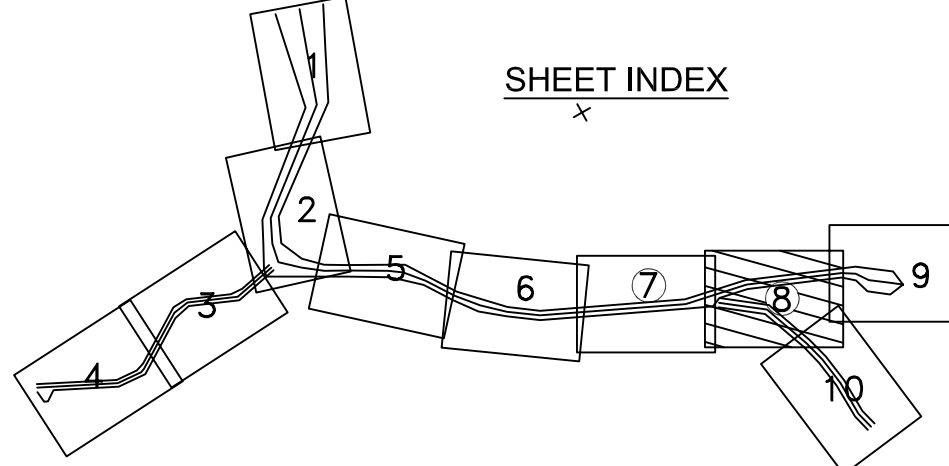
∠ PT	X	Y
E1	5956340.60	2181760.27
E2	5957627.90	2183431.37
E3	5959751.10	2184196.67
E4	5960697.30	2184451.27
E5	5961961.30	2184626.47
E6	5963519.70	2184660.17
E7	5964284.10	2184855.97

NAD 1983
CHANNEL ANGLE POINTS
EUREKA CHANNEL

∠ PT	X	Y
1E	5956172.99	2181852.13
2E	5957495.79	2183569.43
3E	5959682.09	2184360.53
4E	5960648.49	2184617.53
5E	5961936.19	2184796.03
6E	5963485.19	2184929.53
7E	5964225.19	2185019.53
8E	5964324.49	2184632.13
9E	5963537.79	2184430.63
10E	5961968.09	2184396.63
11E	5960727.59	2184224.73
12E	5959801.69	2183978.43
13E	5957741.49	2183232.93
14E	5956489.79	2181608.03



PRELIMINARY ISSUE
THIS PLAN ISSUED FOR
ADVANCE INFORMATION ONLY



US Army Corps
of Engineers
San Francisco District
1455 Market Street
San Francisco, CA 94103

Mark	Description	Date	Appr.

DESIGNED BY:	CRAIG W. KILEY	LT. COLONEL, C.E., DISTRICT ENGINEER
CHECKED BY:	TVW	EWC
DATE:	6/14/2007	8 OF 10
SHEET NO.:	5	2
DRAWING NO.:	322	
APPROVAL RECOMMENDED:	PREPARED UNDER THE DIRECTION OF	
APPROVED:	CRAIG W. KILEY	
Chief, Construction Branch		

HUMBOLDT COUNTY CALIFORNIA
HUMBOLDT BAY
SAMOA & EUREKA CHANNEL
POST-DREDGE SURVEY
26 MAY - JUNE 2007

Sheet reference number
C8