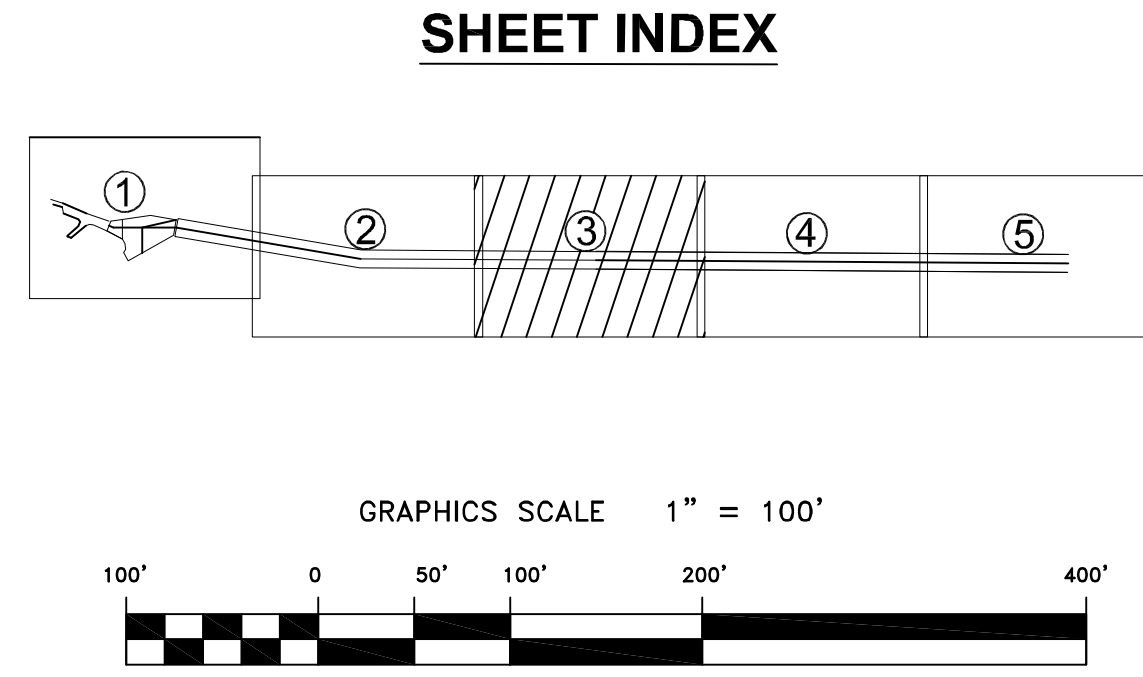


PRELIMINARY ISSUE
DATE: 15 NOVEMBER 2012
THIS PLAN ISSUED FOR
ADVANCE INFORMATION ONLY

CHANNEL ANGLE POINTS		
POINT	EASTING	NORTHING
1	5982297.49	2173089.82
2	5982451.49	2172977.82
3	5982571.50	2172854.82
4	5982787.50	2172599.82
5	5983004.51	2172386.82
6	5983023.51	2172368.82
7	5983522.53	2172208.81
8	5983795.54	2172008.81
9	5983923.54	2172010.81
10	5985780.36	2170582.99
11	5983999.85	2166423.82
12	5982264.49	2173040.82
13	5982451.99	2172902.82
14	5982538.99	2172815.32
15	5982518.49	2172736.82
16	5982658.50	2172587.42
17	5982662.50	2172544.82
18	5982618.80	2172488.82
19	5982435.39	2172455.82
20	5982432.79	2172447.22
21	5982471.29	2172406.12
22	5982709.20	2172461.62
23	5982760.70	2172454.72
24	5982805.70	2172428.92
25	5983009.51	2172302.82
26	5983060.51	2172028.82
27	5983061.51	2172028.82
28	5983033.51	2171961.82
29	5983990.51	2171930.82
30	5982996.51	2171807.82
31	5983874.53	2171839.81
32	5983687.53	2171822.81
33	5983678.76	2171804.07
34	5983892.13	2166216.52

DREDGE CONTROL POINTS		
POINT	EASTING	NORTHING
6	5983023.51	2172368.82
8	5983795.54	2172008.81
9	5983823.54	2172010.81
26	5983060.51	2172092.82
47	5982924.80	2172281.55
48	5983173.92	2172320.59
32	5983211.64	2171817.87
50	5983359.11	2172114.16
31	5983674.53	2171839.81
51	5984672.58	2171104.07
52	5984809.34	2171291.51



MATCHLINE - SHEET 2
MATCHLINE - SHEET 1

E 5,988,000
E 5,989,000

N 2,170,000
N 2,169,000

E 5,987,000
E 5,988,000

N 2,169,000
N 2,168,000

E 5,988,000
E 5,989,000

N 2,168,000
N 2,167,000

E 5,987,000
E 5,988,000

N 2,169,000
N 2,168,000

E 5,988,000
E 5,989,000

N 2,168,000
N 2,167,000

E 5,987,000
E 5,988,000

N 2,169,000
N 2,168,000

E 5,988,000
E 5,989,000

N 2,168,000
N 2,167,000

E 5,987,000
E 5,988,000

N 2,169,000
N 2,168,000

E 5,988,000
E 5,989,000

N 2,168,000
N 2,167,000

E 5,987,000
E 5,988,000

N 2,169,000
N 2,168,000

E 5,988,000
E 5,989,000

N 2,168,000
N 2,167,000

E 5,987,000
E 5,988,000

N 2,169,000
N 2,168,000

E 5,988,000
E 5,989,000

N 2,168,000
N 2,167,000

E 5,987,000
E 5,988,000

N 2,169,000
N 2,168,000

E 5,988,000
E 5,989,000

N 2,168,000
N 2,167,000

E 5,987,000
E 5,988,000

N 2,169,000
N 2,168,000

E 5,988,000
E 5,989,000

N 2,168,000
N 2,167,000

E 5,987,000
E 5,988,000

N 2,169,000
N 2,168,000

E 5,988,000
E 5,989,000

N 2,168,000
N 2,167,000

E 5,987,000
E 5,988,000

N 2,169,000
N 2,168,000

E 5,988,000
E 5,989,000

N 2,168,000
N 2,167,000

E 5,987,000
E 5,988,000

N 2,169,000
N 2,168,000

E 5,988,000
E 5,989,000

N 2,168,000
N 2,167,000

E 5,987,000
E 5,988,000

N 2,169,000
N 2,168,000

E 5,988,000
E 5,989,000

N 2,168,000
N 2,167,000

E 5,987,000
E 5,988,000

N 2,169,000
N 2,168,000

E 5,988,000
E 5,989,000

N 2,168,000
N 2,167,000

E 5,987,000
E 5,988,000

N 2,169,000
N 2,168,000

E 5,988,000
E 5,989,000

N 2,168,000
N 2,167,000

E 5,987,000
E 5,988,000

N 2,169,000
N 2,168,000

E 5,988,000
E 5,989,000

N 2,168,000
N 2,167,000

E 5,987,000
E 5,988,000

N 2,169,000
N 2,168,000

E 5,988,000
E 5,989,000

N 2,168,000
N 2,167,000

E 5,987,000
E 5,988,000

N 2,169,000
N 2,168,000

E 5,988,000
E 5,989,000

N 2,168,000
N 2,167,000

E 5,987,000
E 5,988,000

N 2,169,000
N 2,168,000

E 5,988,000
E 5,989,000

N 2,168,000
N 2,167,000

E 5,987,000
E 5,988,000

N 2,169,000
N 2,168,000

E 5,988,000
E 5,989,000

N 2,168,000
N 2,167,000

E 5,987,000
E 5,988,000

N 2,169,000
N 2,168,000

E 5,988,000
E 5,989,000

N 2,168,000
N 2,167,000

E 5,987,000
E 5,988,000

N 2,169,000
N 2,168,000

E 5,988,000
E 5,989,000

N 2,168,000
N 2,167,000

E 5,987,000
E 5,988,000

N 2,169,000
N 2,168,000

E 5,988,000
E 5,989,000

N 2,168,000
N 2,167,000

E 5,987,000
E 5,988,000

N 2,169,000
N 2,168,000

E 5,988,000
E 5,989,000

N 2,168,000
N 2,167,000

E 5,987,000
E 5,988,000

N 2,169,000
N 2,168,000

E 5,988,000
E 5,989,000

N 2,168,000
N 2,167,000

E 5,987,000
E 5,988,000

N 2,169,000
N 2,168,000

E 5,988,000
E 5,989,000

N 2,168,000
N 2,167,000

E 5,987,000
E 5,988,000

N 2,169,000
N 2,168,000

E 5,988,000
E 5,989,000

N 2,168,000
N 2,167,000

E 5,987,000
E 5,988,000

N 2,169,000
N 2,168,000

E 5,988,000
E 5,989,000

N 2,168,000
N 2,167,000

E 5,987,000
E 5,988,000

N 2,169,000
N 2,168,000

E 5,988,000
E 5,989,000

N 2,168,000
N 2,167,000

E 5,987,000
E 5,988,000

N 2,169,000
N 2,168,000

E 5,988,000
E 5,989,000

N 2,168,000
N 2,167,000

E 5,987,000
E 5,988,000

N 2,169,000
N 2,168,000

E 5,988,000
E 5,989,000

N 2,168,000
N 2,167,000

E 5,987,000
E 5,988,000

N 2,169,000
N 2,168,000

E 5,988,000
E 5,989,000

N 2,168,000
N 2,167,000

E 5,987,000
E 5,988,000

N 2,169,000
N 2,168,000

E 5,988,000
E 5,989,000

N 2,168,000
N 2,167,000

E 5,987,000
E 5,988,000

N 2,169,000
N 2,168,000

E 5,988,000
E 5,989,000

N 2,168,000
N 2,167,000

E 5,987,000
E 5,988,000

N 2,169,000
N 2,168,000

E 5,988,000
E 5,989,000

N 2,168,000
N 2,167,000

E 5,987,000
E 5,988,000

N 2,169,000
N 2,168,000

E 5,988,000
E 5,989,000

N 2,168,000
N 2,167,000

E 5,987,000
E 5,988,000

N 2,169,000
N 2,168,000

E 5,988,000
E 5,989,000

N 2,168,000
N 2,167,000

E 5,987,000
E 5,988,000

N 2,169,000
N 2,168,000

E 5,988,000
E 5,989,000

N 2,168,000
N 2,167,000

E 5,987,000
E 5,988,000

N 2,169,000
N 2,168,000

E 5,988,000
E 5,989,000

N 2,168,000
N 2,167,000

E 5,987,000
E 5,988,000

N 2,169,000
N 2,168,000

E 5,988,000
E 5,989,000

N 2,168,000
N 2,167,000

E 5,987,000
E 5,988,000

N 2,169,000
N 2,168,000

E 5,988,000
E 5,989,000

N 2,168,000
N 2,167,000

E 5,987,000
E 5,988,000

N 2,169,000
N 2,168,000

E 5,988,000
E 5,989,000

N 2,168,000
N 2,167,000

E 5,987,000
E 5,988,000

N 2,169,000
N 2,168,000

E 5,988,000
E 5,989,000

N 2,168,000
N 2,167,000

E 5,987,000
E 5,988,000

N 2,169,000
N 2,168,000

E 5,988,000
E 5,989,000

N 2,168,000
N 2,167,000