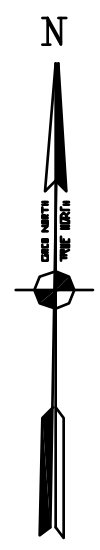



PRELIMINARY ISSUE
THIS PLAN ISSUED FOR
ADVANCE INFORMATION ONLY




US Army Corps
of Engineers
San Francisco District
1455 Market Street
San Francisco, CA 94103

Mark	Description	Date	Appr.

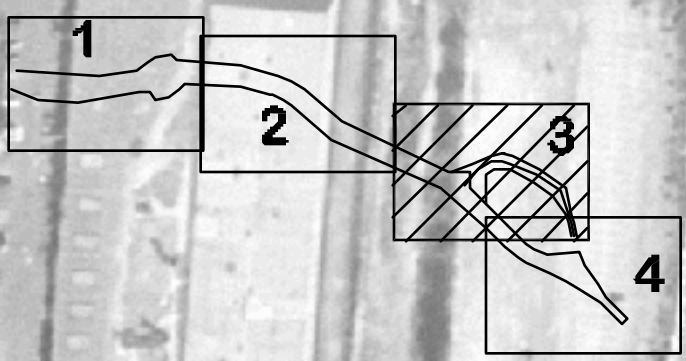
SUBMITTED:	PDT	DESIGNED BY:	CHECKED BY:	DRAWN BY:
Hydra Survey Team Leader	PDT	PDT	PDT	PDT
APPROVAL RECOMMENDED:	DATE:	SHEET NO.	DRAWING NO.	DATE:
STEPHEN P. KILMOM P.E. S.M. CHIEF, QUANTITATIVE SYSTEMS APPROVED:	12/14/2010	3 OF 4	2	2
PREPARED UNDER THE DIRECTION OF TORREY A. DICIRO LT. COLONEL, C.E., DISTRICT ENGINEER				
CHIEF, Construction Branch				

ALAMEDA COUNTY
OAKLAND INNER HARBOR
BROOKLYN BASIN SOUTH CHANNEL
CONDITION SURVEY
22,23,29 NOVEMBER & 14 DECEMBER 2010

Sheet
reference
number
C3



SHEET INDEX



GRAPHICS SCALE 1" = 200'



M:\Branch_P\csrc\csrc\csrc\Myers\Survey\Map\mms\Survey\Kalkane\2\11\InnerBasin\basin_south_channel\12/14/2010.dwg