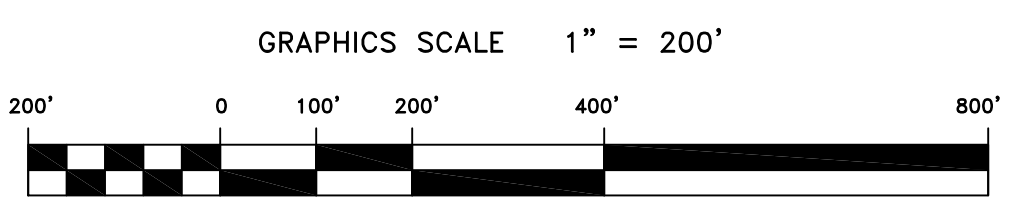
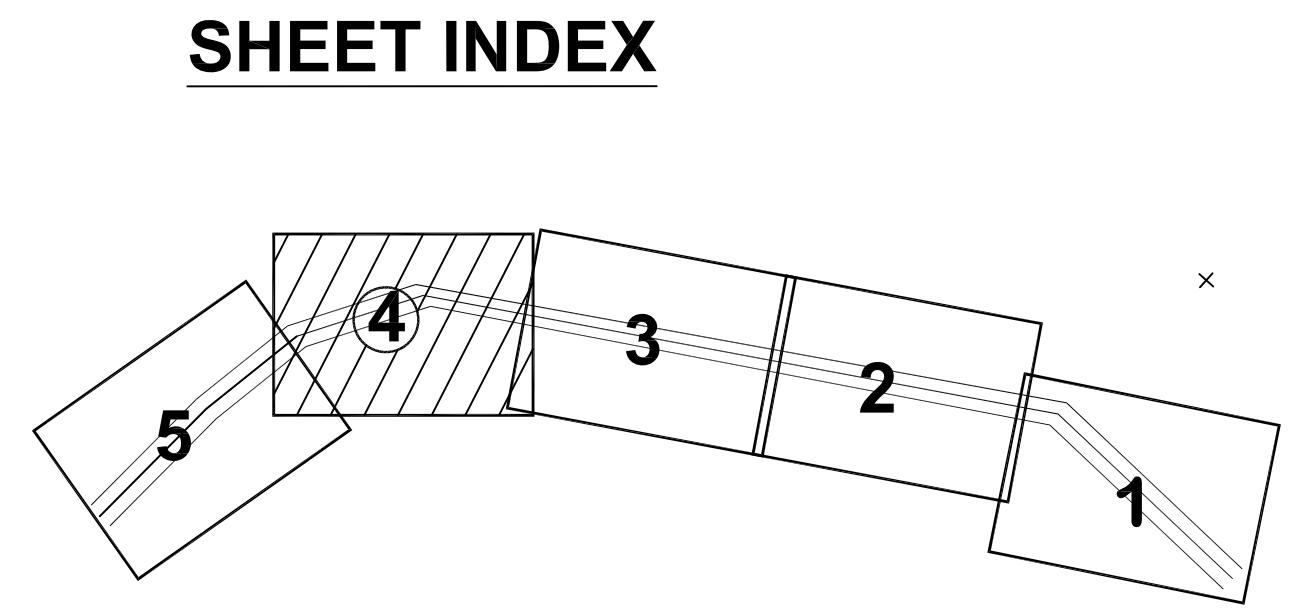
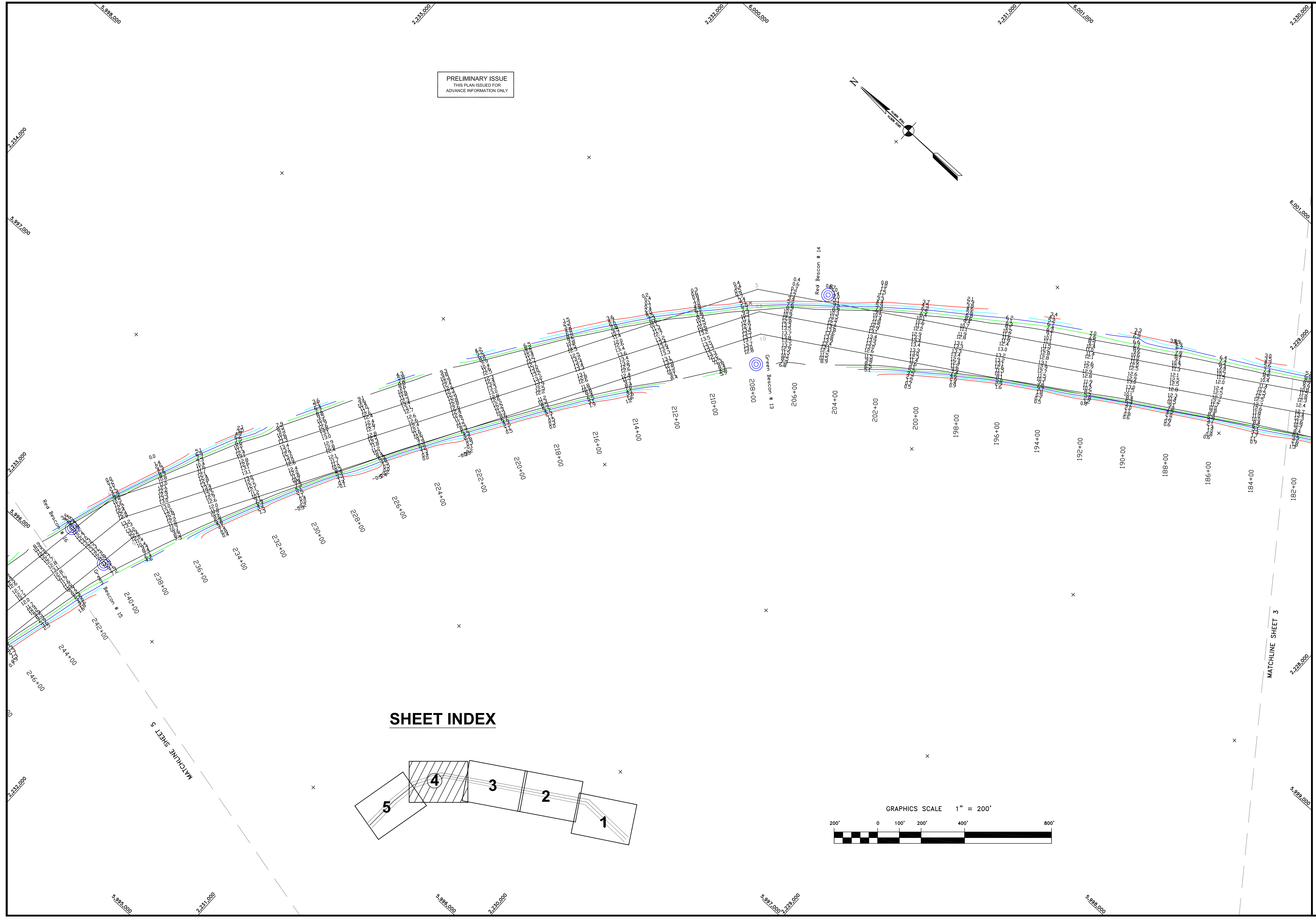
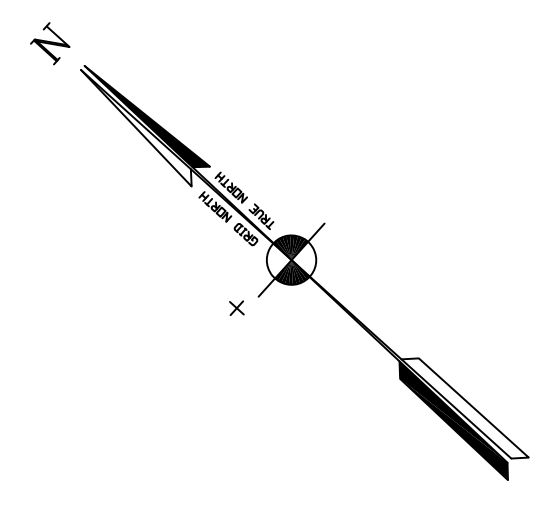


PRELIMINARY ISSUE
THIS PLAN ISSUED FOR
ADVANCE INFORMATION ONLY



Mark	Description	Date	Appr.

SUBMITTED:	PDT	DRAWN BY:	PDT
	Hydro Survey Team Leader		PDT
APPROVAL RECOMMENDED:	STEPHEN P. KILMON, PSM	DESIGNED BY:	DATE:
	Chief, Geomatics Section		07/29/2010
APPROVED:	[Signature]	PREPARED UNDER THE DIRECTION OF	SHEET NO.
			4 OF 5
[Signature]		PREPARED BY:	DRAWING NO.
Chief, Construction Branch			TORREY A. DICIRO
		LT. COLONEL, C.E., DISTRICT ENGINEER	

SONOMA COUNTY
CALIFORNIA
PETALUMA RIVER
ACROSS THE FLAT
CONDITION SURVEY
28-29 JULY & 03 AUGUST 2010

Sheet reference
number
G4