

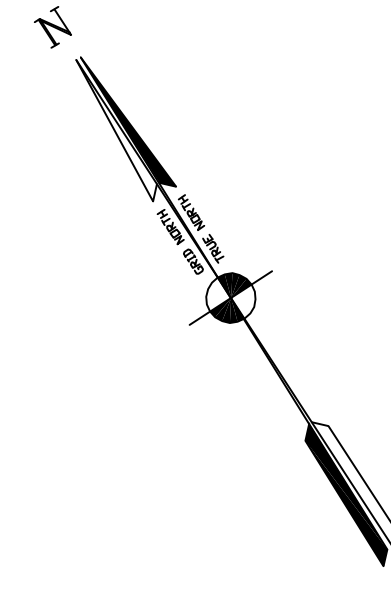
4

3

2

1

PRELIMINARY ISSUE
THIS PLAN ISSUED FOR
ADVANCE INFORMATION ONLY

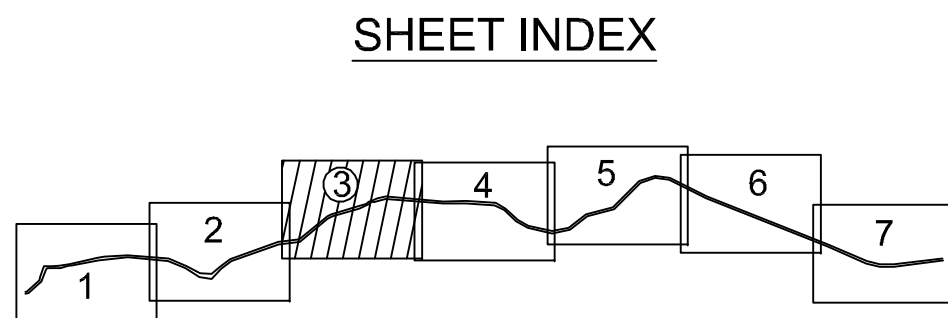
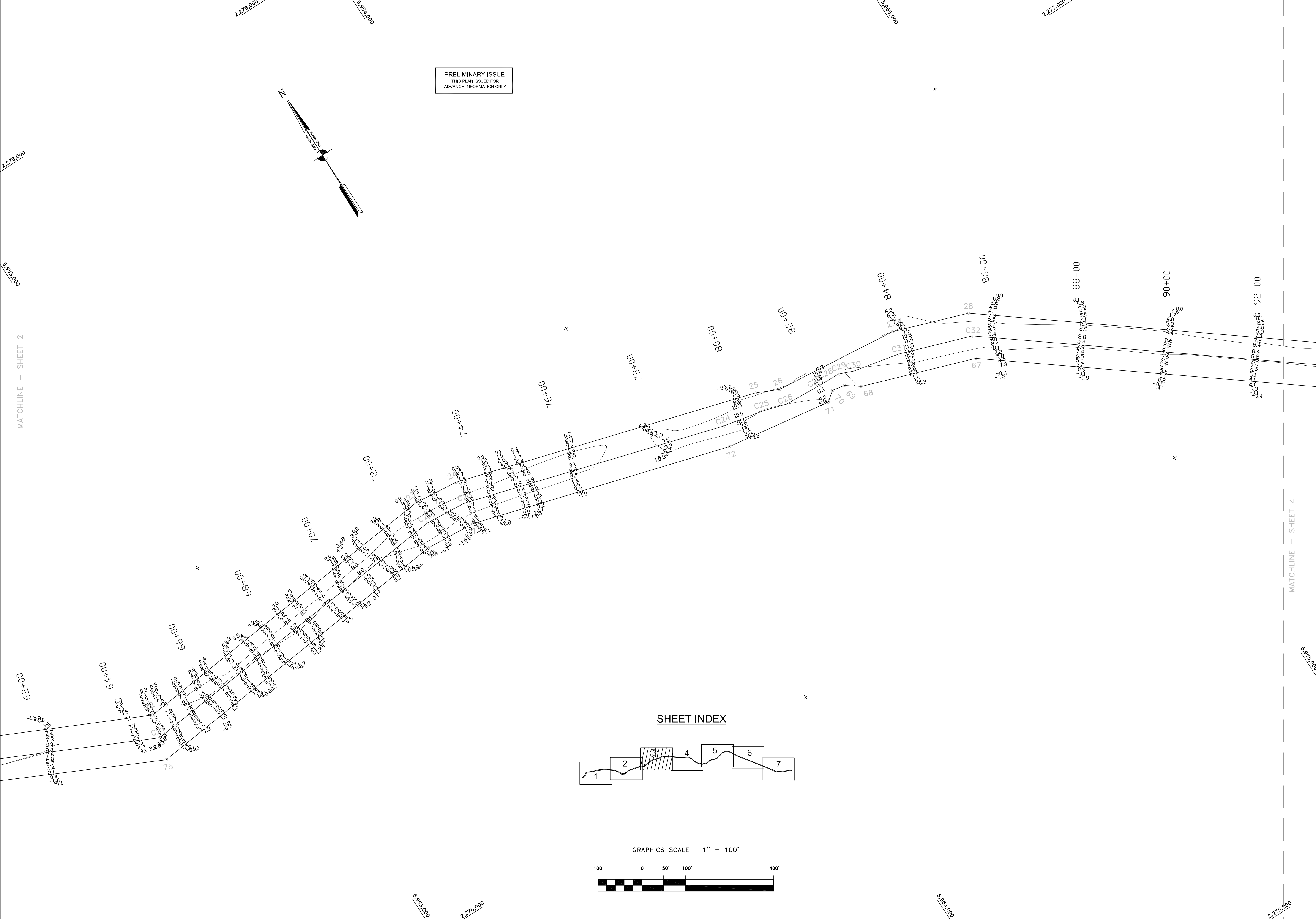


MATCHLINE - SHEET 2

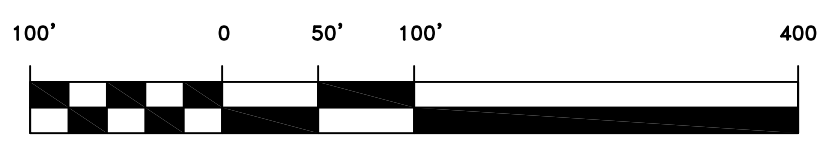
MATCHLINE - SHEET 2

B

A



GRAPHICS SCALE 1" = 100'



MATCHLINE - SHEET 4

US Army Corps
of Engineers
San Francisco District
1455 Market Street
San Francisco, CA 94103

Mark	Description	Date	Appr.

SUBMITTED: Hydro Survey Team Leader	APPROVAL RECOMMENDED: Chief, Technical Support Section	APPROVED: Chief, Construction Branch	DESIGNED BY:	DRAWN BY:
			PDT	PDT
DATE:	SHEET NO.	DRAWING NO.	CHECKED BY:	PDT
1/15/2010	3 OF 7	52 2	LAURENCE M. FAIRWELL	xxx
PREPARED UNDER THE DIRECTION OF				
LAURENCE M. FAIRWELL				
LT. COLONEL, C.E., DISTRICT ENGINEER				

SONOMA COUNTY CALIFORNIA
PETALUMA RIVER
 CONDITION SURVEY
 12 & 15 JANUARY 2010

Sheet reference number
C3