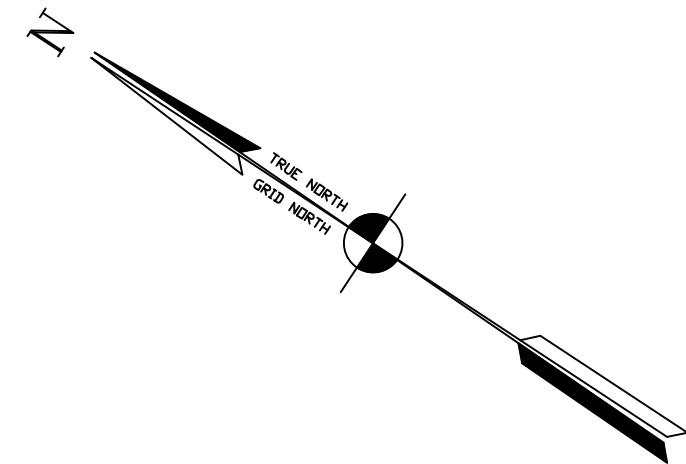





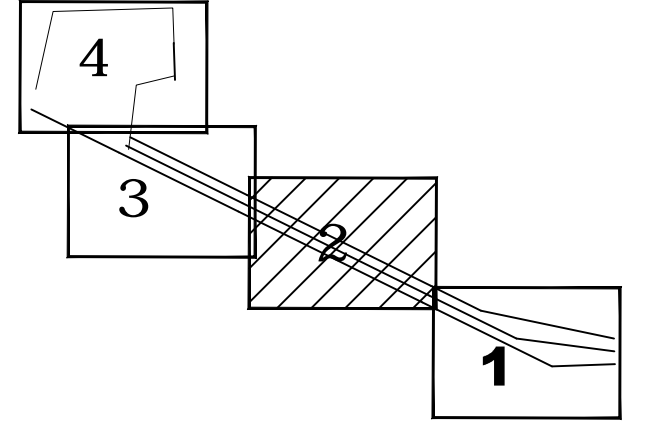
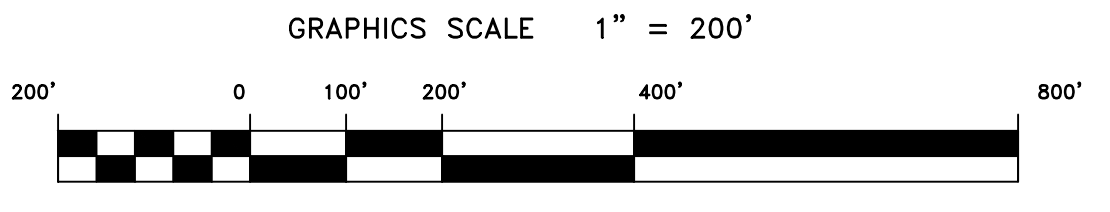


PRELIMINARY ISSUE
 THIS PLAN ISSUED FOR
 ADVANCE INFORMATION ONLY



LEGEND:

	-45'
	-44'
	-43'
	-42'
	-41'



SUBMITTED BY:	PDT	CHECKED BY:	PDI	DRAWN BY:	PDT
	Hydro Survey Team Leader		PDI		PDI
APPROVAL RECOMMENDED:		DATE:	8/3/2015	SHEET NO.:	2 OF 4
APPROVED:		DATE:	8/3/2015	SHEET NO.:	2 OF 4
CHIEF, Hydro Survey Section		DATE:	8/3/2015	SHEET NO.:	2 OF 4
CHIEF, Construction Branch		DATE:	8/3/2015	SHEET NO.:	2 OF 4
PREPARED UNDER THE DIRECTION OF JOHN C. MORROW LT. COLONEL, C.E., DISTRICT ENGINEER					

CONTRA COSTA COUNTY
RICHMOND OUTER HARBOR
 SOUTHAMPTON SHOAL
 CONDITION SURVEY
 28 JULY 2015

Sheet reference number
C2

