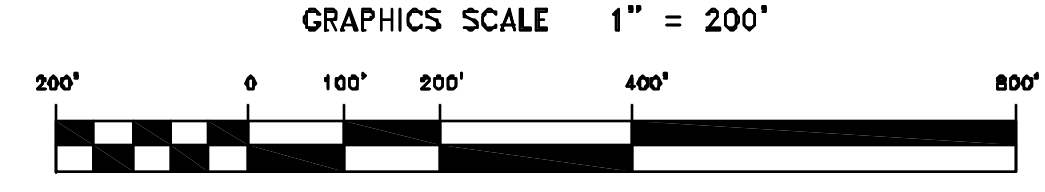
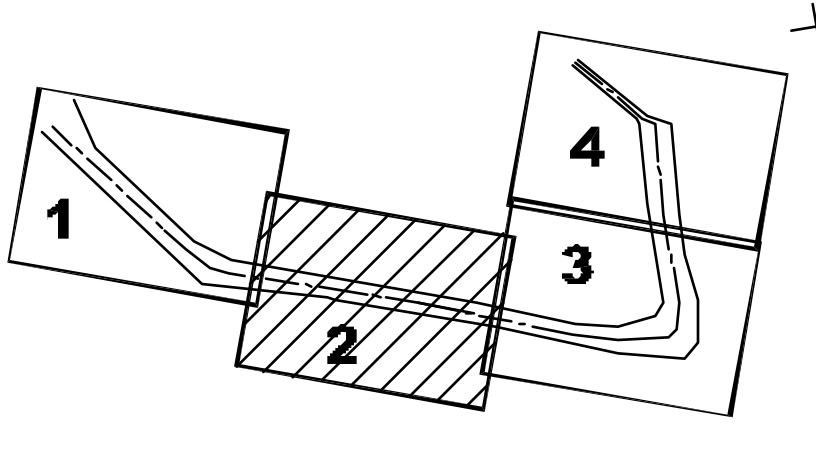


MATCHLINE - SHEET 1
 N 2:56.212

PRELIMINARY ISSUE
 THIS PLAN ISSUED FOR
 ADVANCE INFORMATION ONLY

SHEET INDEX



MATCHLINE - SHEET 3
 N 2:56.212

ALAMEDA COUNTY
RICHMOND INNER HARBOR
 PRELIMINARY AFTER DREDGE SURVEY
 23 DEC 2010, 13 & 18 JAN 2011

Sheet
 reference
 number
C2

SUBMITTED:	PDT	DESIGNED BY:	CHECKED BY:	DRAWN BY:	PDT
Hydra Survey Team Leader					
APPROVAL RECOMMENDED:	DATE:	01/29/2011	SHEET NO.:	2 OF 4	9 2 XXX
CHIEF, Technical Support Section	APPROVED:	PREPARED UNDER THE DIRECTION OF TORREY A. DIORO			
	CHIEF, Construction Branch	LT. COLONEL, C.E., DISTRICT ENGINEER			

Mark	Description	Date	Appr.

US Army Corps
 of Engineers
 San Francisco District
 1455 Market Street
 San Francisco, CA 94103