



US Army Corps
of Engineers
San Francisco District
1455 Market Street
San Francisco, CA 94103

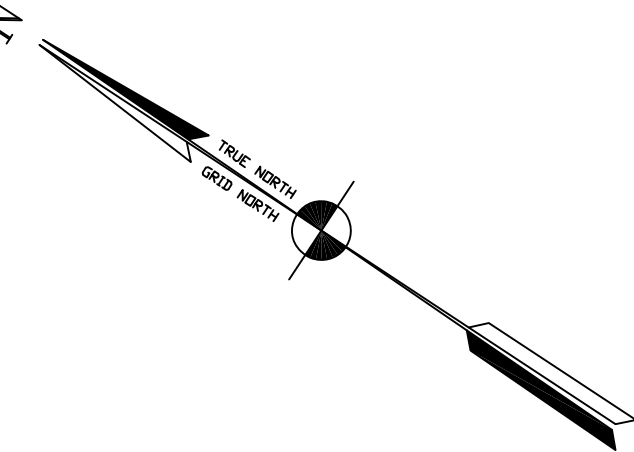
Mark	Description	Date	Appr.

SUBMITTED:	PDT	DESIGNED BY:	DRAWN BY:
Hydro Survey Team Leader	Hydro Survey Team Leader	PDT	PDT
APPROVAL RECOMMENDED:	APPROVAL RECOMMENDED:	CHECKED BY:	CHECKED BY:
CHMT, Technical Support Section	CHMT, Technical Support Section	PDT	PDT
DATE:	DATE:	SHEET NO.	DRAWING NO.
3/09/2010	3/09/2010	2 OF 4	9 2
APPROVED:		PREPARED UNDER THE DIRECTION OF	
CHMT, Construction Branch		LAURENCE M. FARRELL	
		LT. COLONEL, C.E., DISTRICT ENGINEER	

CALIFORNIA
CONTRA COSTA COUNTY
RICHMOND HARBOR
SOUTHAMPTON SOUTH
CONDITION SURVEY
3 MARCH 2010

Sheet
reference
number
C2

PRELIMINARY ISSUE
THIS PLAN ISSUED FOR
ADVANCE INFORMATION ONLY



LEGEND:

	-45'
	-44'
	-43'
	-42'
	-41'

