

VICINITY MAP

NTS

CHART REFERENCE:

NOAA CHART 18653 "SF BAY - ANGEL ISLAND TO POINT SAN PEDRO"

W. B. Clausen Structural Engineers, Inc.



1727 64th Street, Emeryville, California 94608  
 Tel: (510) 855-4144 Fax: (510) 855-1133

DRAWN BY

PHC

CHECKED BY

DATE ISSUED

1-30-14

USACE File: 2013-00171S

Strawberry Channel  
 Maintenance Dredging

Sheet 1 of 12

May 2014



FIG. 9.0  
ZONE: B

INNER  
CHANNEL

FIG. 8.0  
ZONE: B

RICHARDSON BAY

FIG. 7.0  
ZONES: A/B

OUTER  
CHANNEL

FIG. 6.0  
ZONE: A

FIG. 5.0  
ZONE: A

FIG. 10.0  
ZONE: C

OVERALL SITE PLAN

1" = 1,000'

W. B. Clausen Structural Engineers, Inc.

1727 84TH Street, Emeryville, California 94608  
Tel: (510) 855-1144 Fax: (510) 855-1133



DRAWN BY

PHC

CHECKED BY

DATE ISSUED

1-30-14










USACE File: 2013-00171S

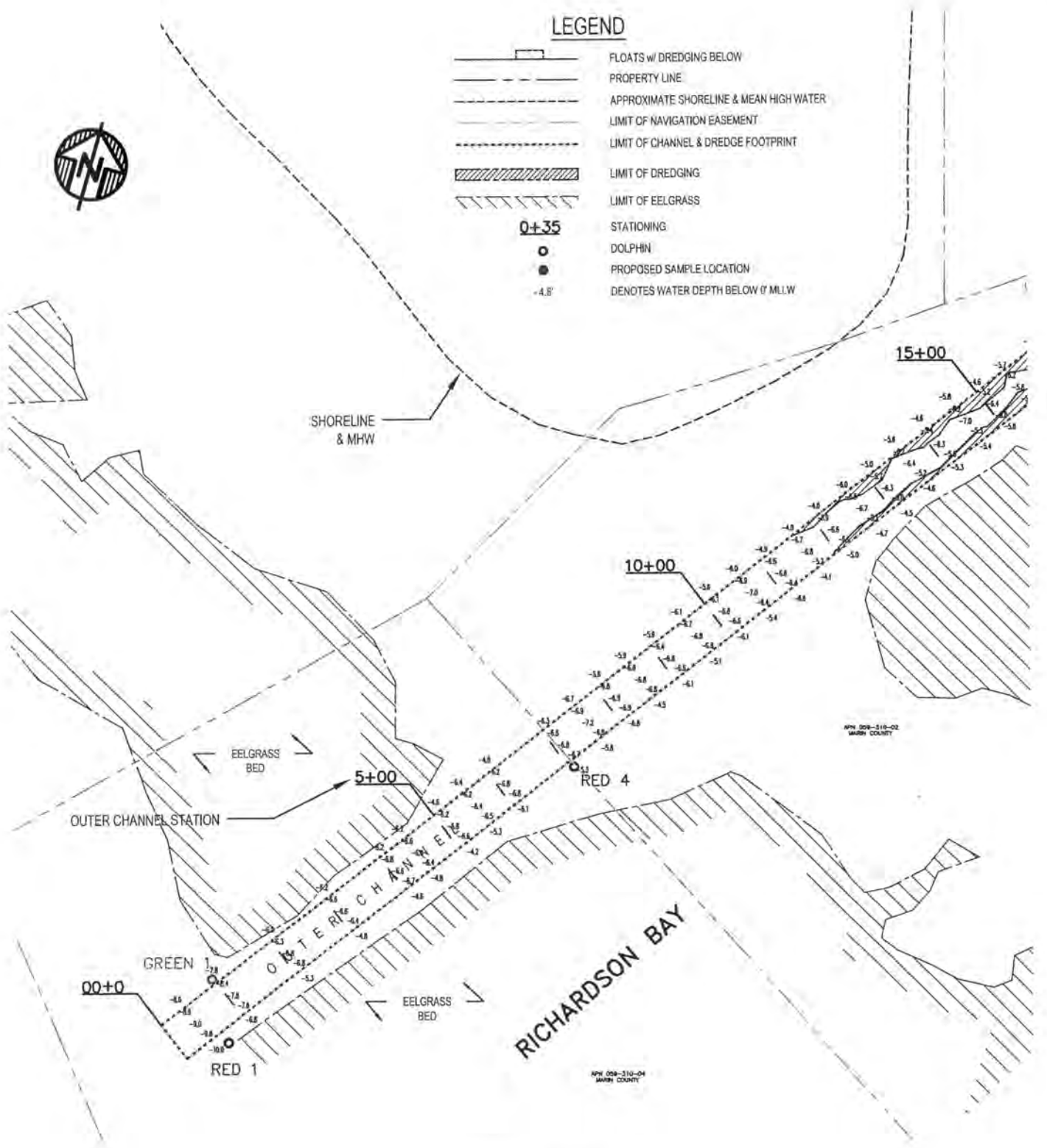
Strawberry Channel  
Maintenance Dredging

Sheet 2 of 12

May 2014

**LEGEND**

-  FLOATS w/ DREDGING BELOW
-  PROPERTY LINE
-  APPROXIMATE SHORELINE & MEAN HIGH WATER
-  LIMIT OF NAVIGATION EASEMENT
-  LIMIT OF CHANNEL & DREDGE FOOTPRINT
-  LIMIT OF DREDGING
-  LIMIT OF EELGRASS
- 0+35** STATIONING
-  DOLPHIN
-  PROPOSED SAMPLE LOCATION
- 4.8'** DENOTES WATER DEPTH BELOW 0' M.L.W.



**SITE PLAN**

1" = 200'

**W. B. Clausen Structural Engineers, Inc.**

1727 84th Street, Emeryville, California 94608  
 Tel: (510) 855-1144 Fax: (510) 855-1133



DRAWN BY

PHC

CHECKED BY

DATE ISSUED

1-30-14

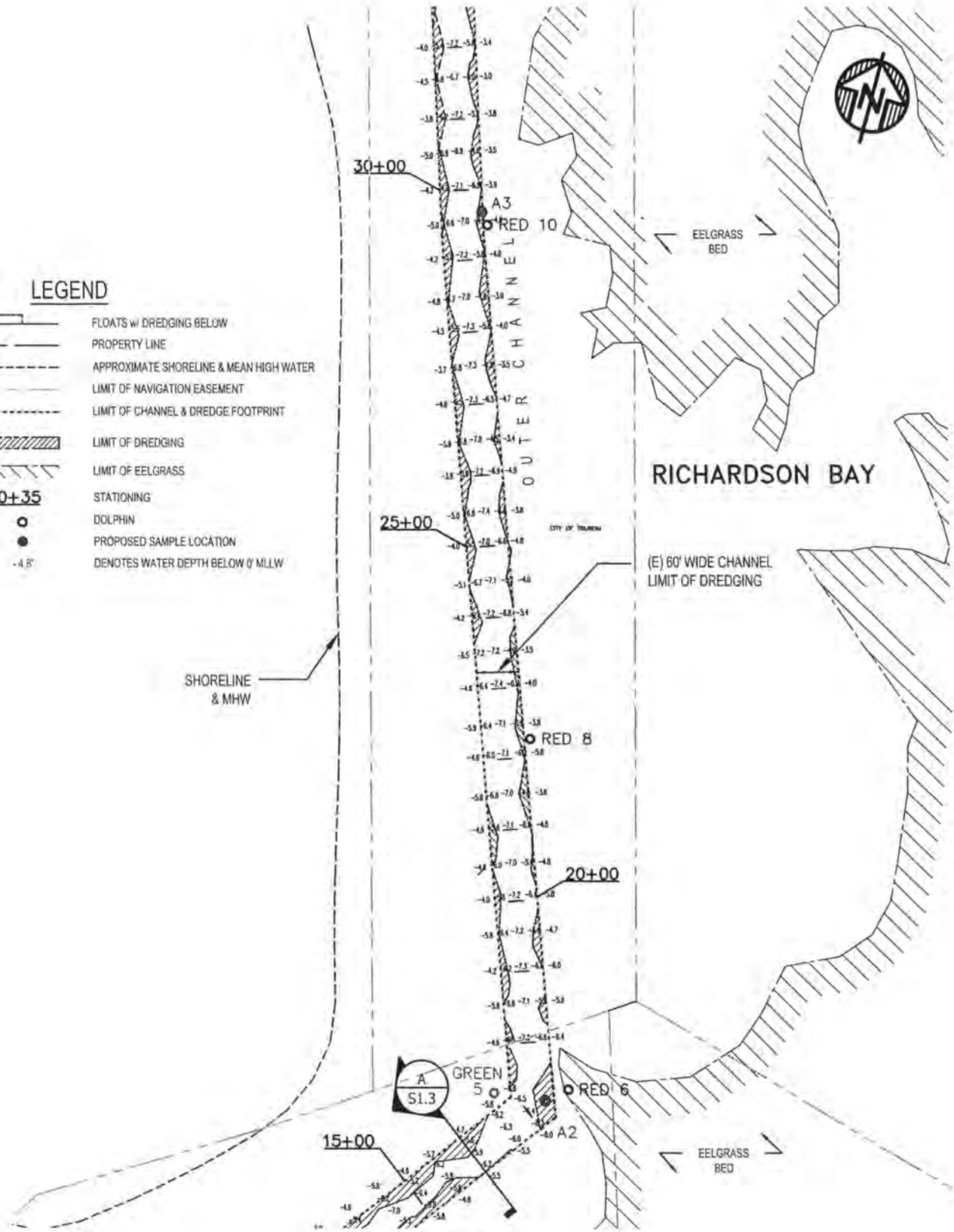
USACE File: 2013-00171S

Strawberry Channel  
 Maintenance Dredging

Sheet 3 of 12

May 2014

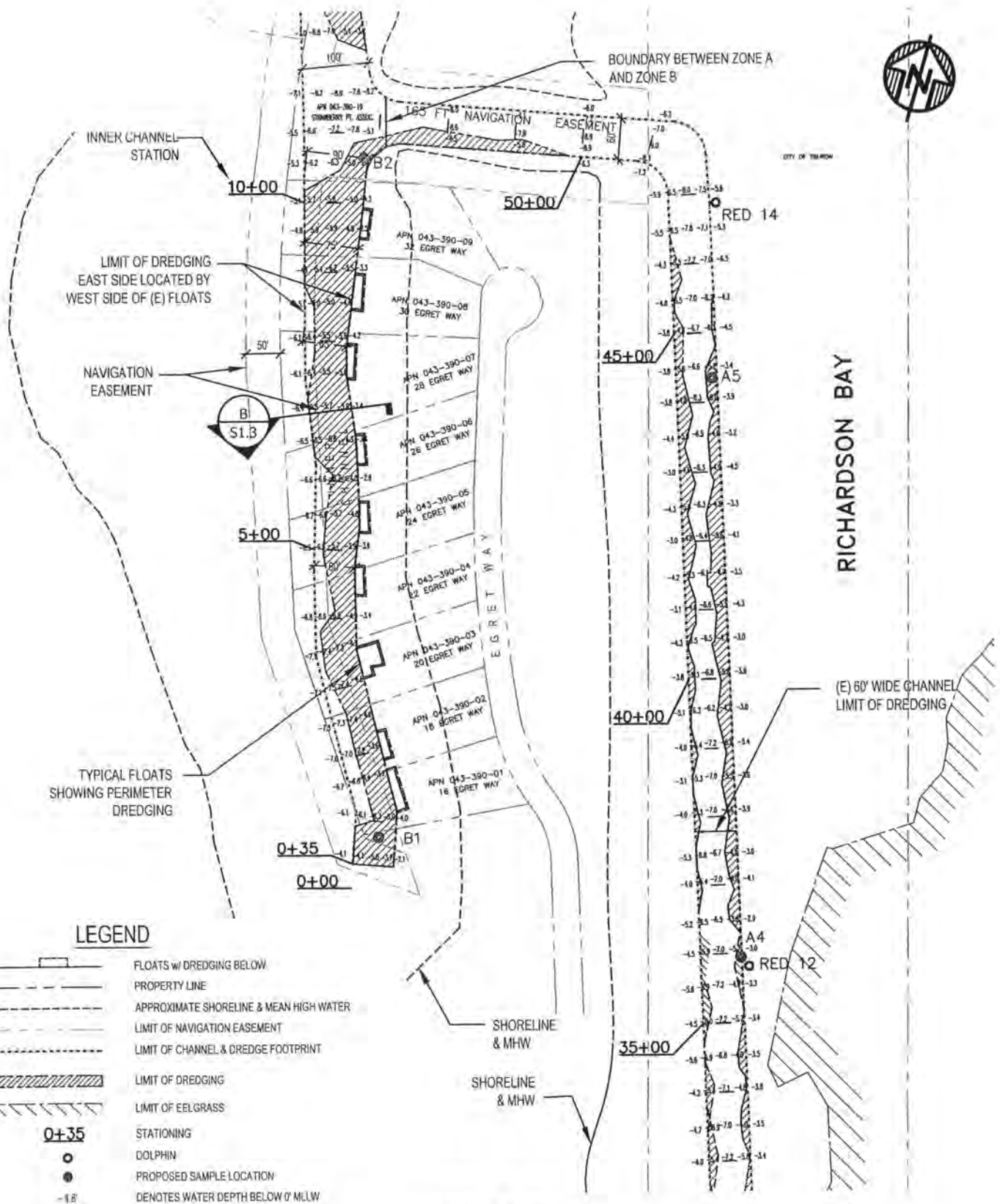
- LEGEND**
- FLOATS w/ DREDGING BELOW
  - PROPERTY LINE
  - APPROXIMATE SHORELINE & MEAN HIGH WATER
  - LIMIT OF NAVIGATION EASEMENT
  - LIMIT OF CHANNEL & DREDGE FOOTPRINT
  - LIMIT OF DREDGING
  - LIMIT OF EELGRASS
  - 0+35** STATIONING
  - DOLPHIN
  - PROPOSED SAMPLE LOCATION
  - 4.8'** DENOTES WATER DEPTH BELOW 0' MLLW



**SITE PLAN**  
1" = 200'

<b>W. B. Clausen Structural Engineers, Inc.</b> 1727 641st Street, Escondido, California 94608 Tel: (510) 855-4144 Fax: (510) 855-1133		DRAWN BY <b>PHC</b>
		CHECKED BY
		DATE ISSUED <b>1-30-14</b>

USACE File: 2013-00171S  
 Strawberry Channel  
 Maintenance Dredging  
 Sheet 4 of 12  
 May 2014



**LEGEND**

- FLOATS w/ DREDGING BELOW
- PROPERTY LINE
- APPROXIMATE SHORELINE & MEAN HIGH WATER
- LIMIT OF NAVIGATION EASEMENT
- LIMIT OF CHANNEL & DREDGE FOOTPRINT
- LIMIT OF DREDGING
- LIMIT OF EELGRASS
- 0+35** STATIONING
- DOLPHIN
- PROPOSED SAMPLE LOCATION
- DENOTES WATER DEPTH BELOW 0' MLW

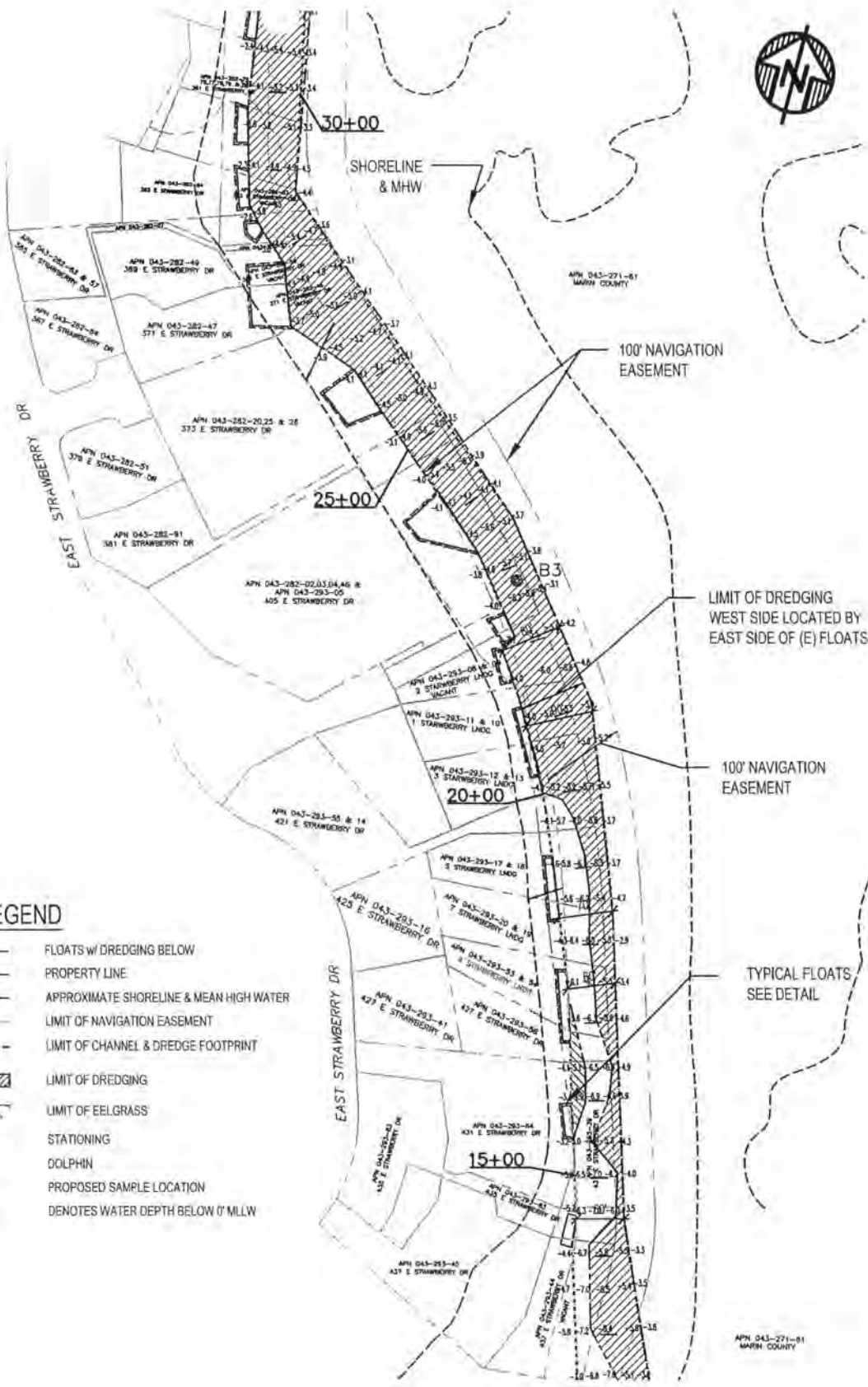
**SITE PLAN**  
1" = 200'

<p><b>W. B. Clausen Structural Engineers, Inc.</b></p> <p>1727 64th Street, Emeryville, California 94608          ☎: (510) 855-1144 Fax: (510) 855-1133</p>	<p>DRAWN BY <b>PHC</b></p>
	<p>CHECKED BY</p>
	<p>DATE ISSUED <b>1-30-14</b></p>
	<p> </p>

**USACE File: 2013-00171S**

**Strawberry Channel  
Maintenance Dredging**

Sheet 5 of 12 May 2014

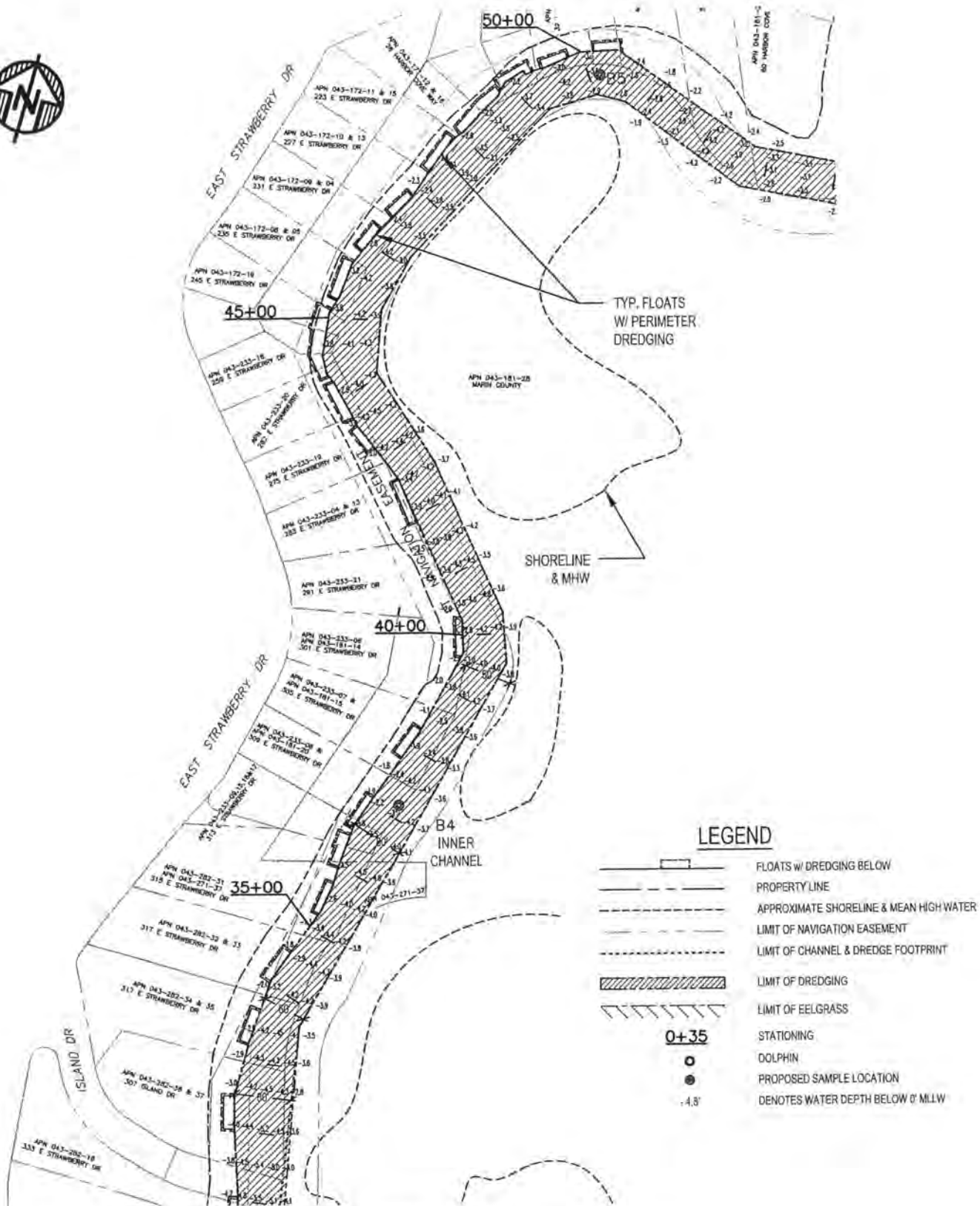


**LEGEND**

- FLOATS w/ DREDGING BELOW
- PROPERTY LINE
- APPROXIMATE SHORELINE & MEAN HIGH WATER
- LIMIT OF NAVIGATION EASEMENT
- LIMIT OF CHANNEL & DREDGE FOOTPRINT
- LIMIT OF DREDGING
- LIMIT OF EELGRASS
- 0+35** STATIONING
- DOLPHIN
- PROPOSED SAMPLE LOCATION
- DENOTES WATER DEPTH BELOW 0' MLLW

<p><b>W. B. Clausen Structural Engineers, Inc.</b></p> <p>1727 64th Street, Emeryville, California 94608          Tel: (510) 655-4144 Fax: (510) 655-1133</p>	DRAWN BY <b>PHC</b>
	CHECKED BY
	DATE ISSUED <b>1-30-14</b>

USACE File: 2013-00171S
Strawberry Channel Maintenance Dredging
<span>Sheet 6 of 12</span> <span>May 2014</span>



**LEGEND**

- FLOATS W/ DREDGING BELOW
- PROPERTY LINE
- APPROXIMATE SHORELINE & MEAN HIGH WATER
- LIMIT OF NAVIGATION EASEMENT
- LIMIT OF CHANNEL & DREDGE FOOTPRINT
- LIMIT OF DREDGING
- LIMIT OF EELGRASS
- 0+35** STATIONING
- DOLPHIN
- PROPOSED SAMPLE LOCATION
- DENOTES WATER DEPTH BELOW 0' MLLW

**SITE PLAN**

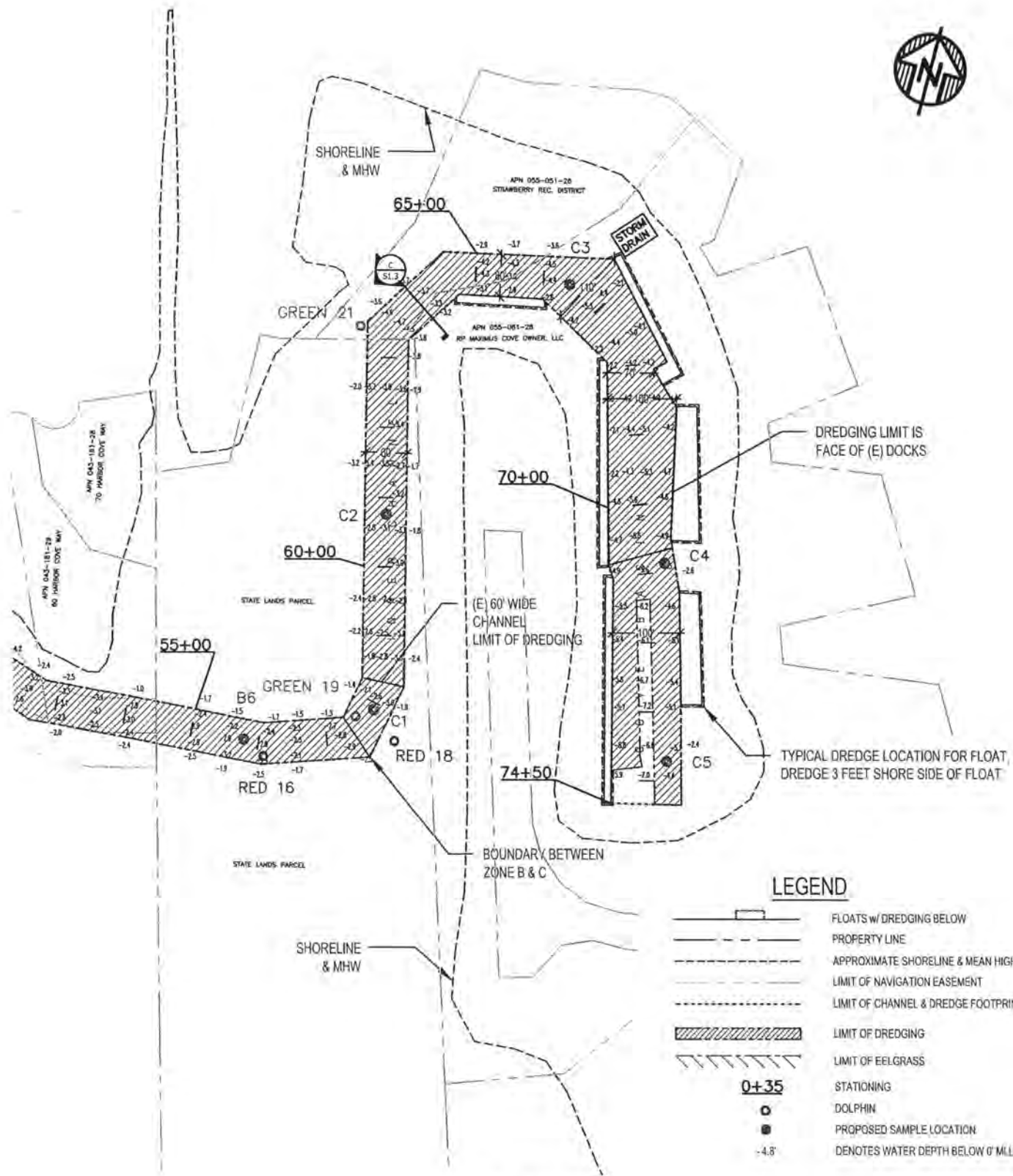
1" = 200'

<b>W. B. Clausen Structural Engineers, Inc.</b> 1727 64th Street, Emeryville, California 94608 Tel: (510) 855-4144 Fax: (510) 855-1133	
	DRAWN BY PHC
	CHECKED BY
	DATE ISSUED 1-30-14

USACE File: 2013-00171S

Strawberry Channel  
Maintenance Dredging

Sheet 7 of 12 May 2014



**SITE PLAN**

1" = 200'

**W. B. Clausen Structural Engineers, Inc.**

1721 64th Street, Emeryville, California 94608  
 Tel: (510) 855-1144 Fax: (510) 855-1133



DRAWN BY

PHC

CHECKED BY

DATE ISSUED

1-30-14

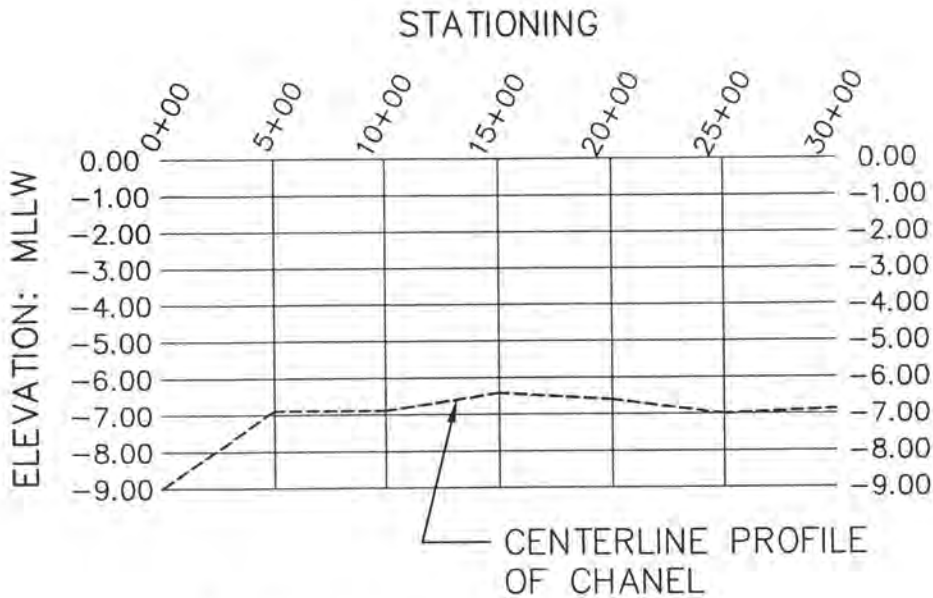
USACE File: 2013-00171S

Strawberry Channel  
 Maintenance Dredging

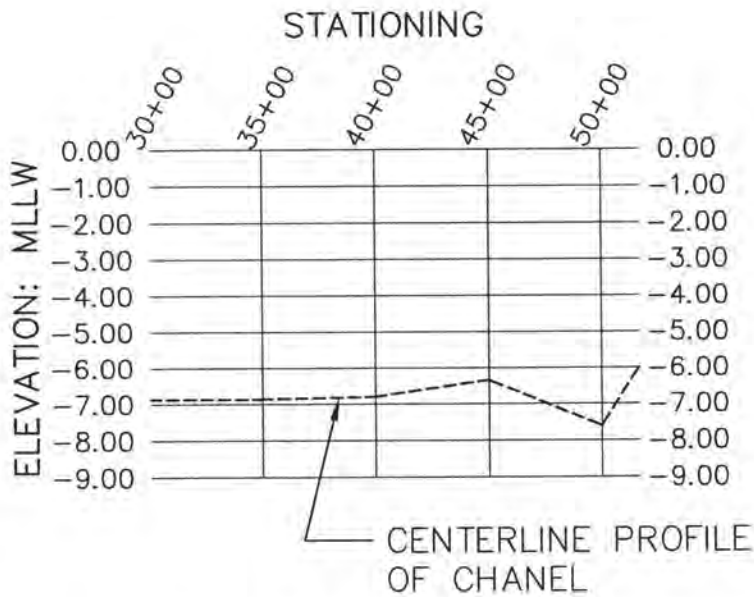
Sheet 8 of 12

May 2014





**PROFILE: OUTER CHANNEL** A  
NTS S1.0



**PROFILE: OUTER CHANNEL** B  
NTS S1.0

**W. B. Clausen Structural Engineers, Inc.**

1727 84th Street, Emeryville, California 94608  
Tel: (510) 855-4144 Fax: (510) 855-1133



DRAWN BY

PHC

CHECKED BY

DATE ISSUED

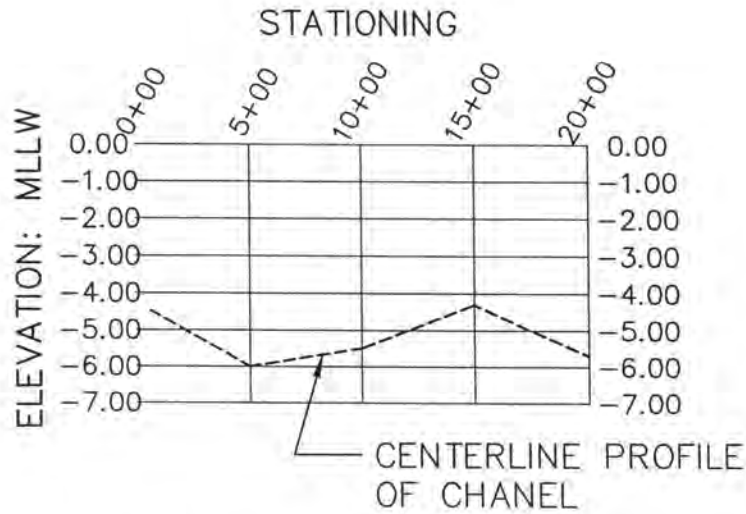
1-30-14

USACE File: 2013-00171S

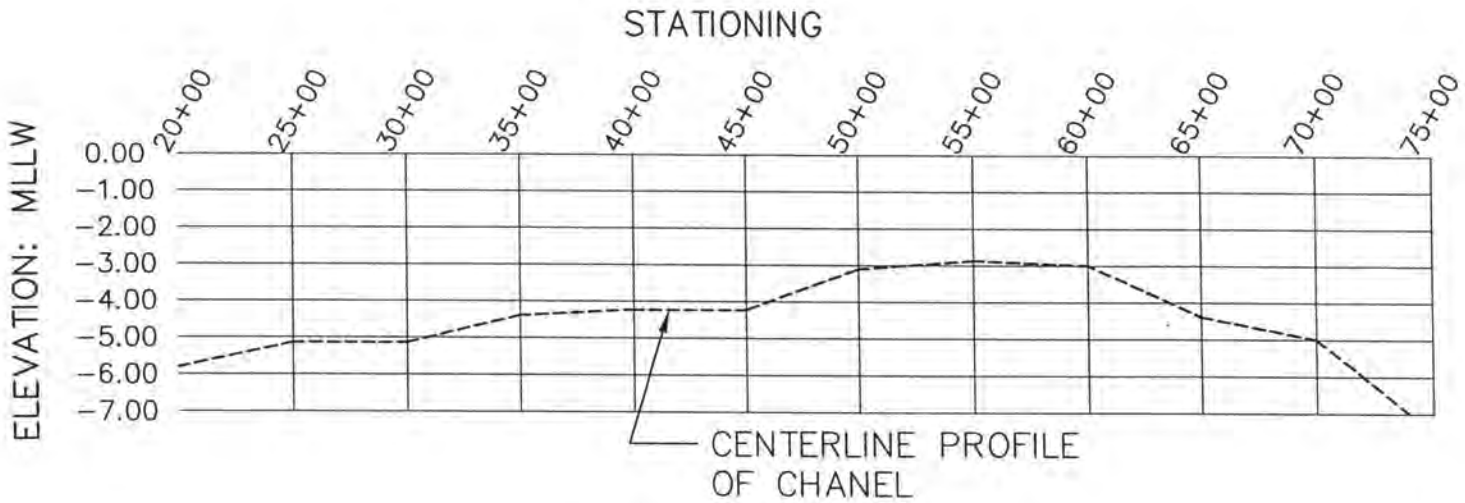
Strawberry Channel  
Maintenance Dredging

Sheet 9 of 12

May 2014



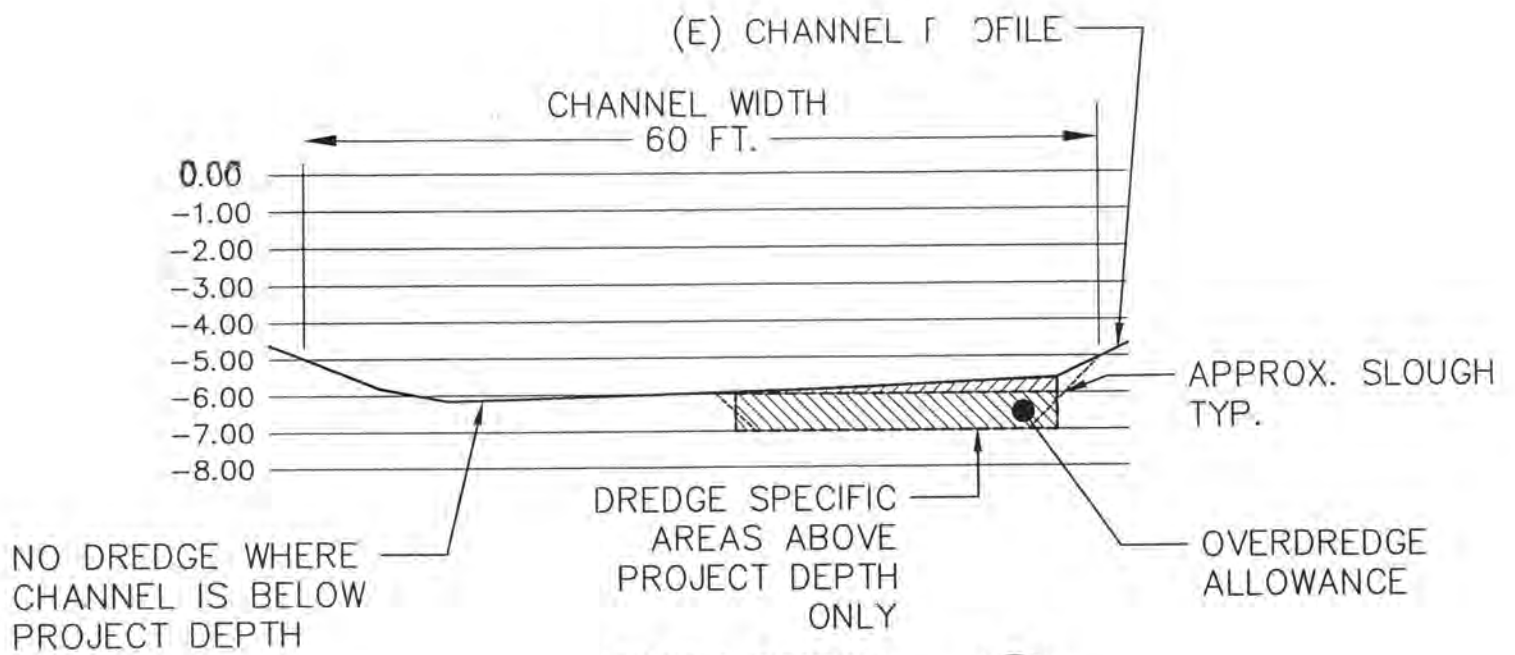
**PROFILE: INNER CHANNEL** (A)  
NTS S1.1



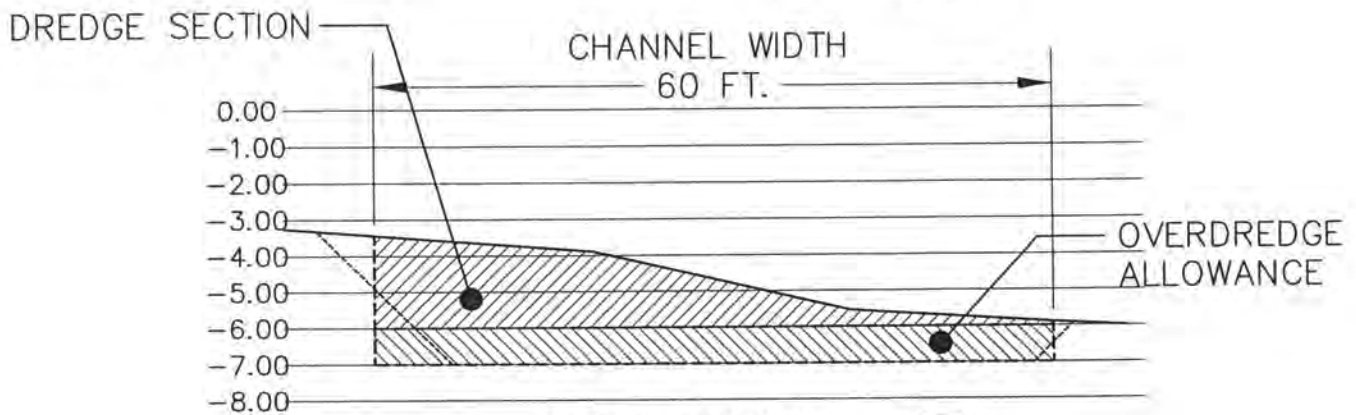
**PROFILE: INNER CHANNEL** (B)  
NTS S1.1

<p><b>W. B. Clausen Structural Engineers, Inc.</b></p> <p>1777 84TH Street, Emeryville, California 94608          Tel: (510) 855-4144 Fax: (510) 855-1133</p>	DRAWN BY	PHC
	CHECKED BY	
	DATE ISSUED	1-30-14

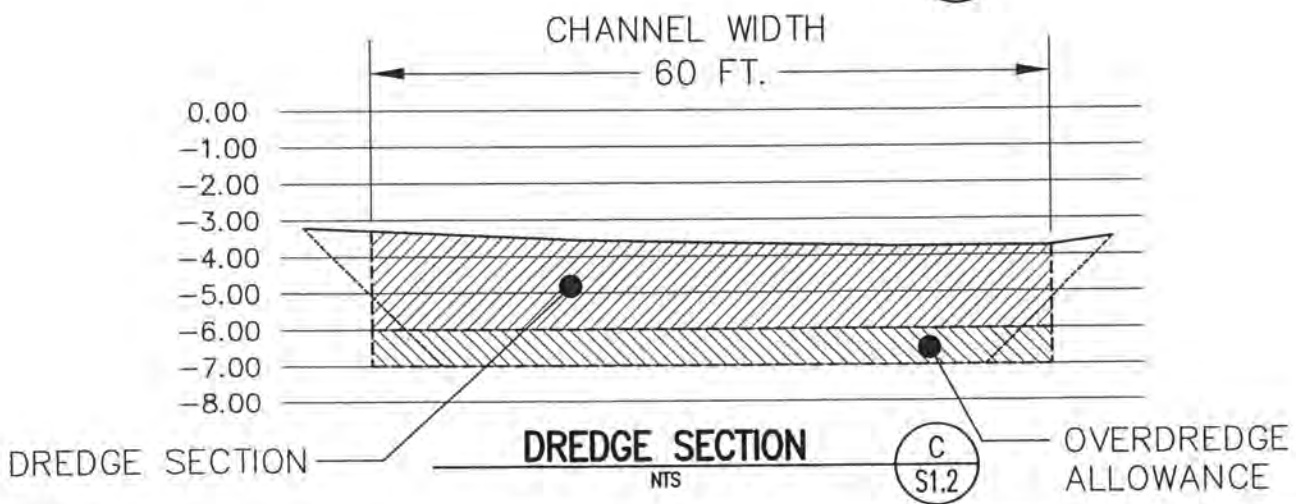
USACE File: 2013-00171S	
Strawberry Channel Maintenance Dredging	
Sheet 10 of 12	May 2014



**DREDGE SECTION** (A)  
NTS S1.2



**DREDGE SECTION** (B)  
NTS S1.2



**DREDGE SECTION** (C)  
NTS S1.2

W. B. Clausen Structural Engineers, Inc.

1727 54th Street, Emeryville, California 94608  
Tel: (510) 855-4144 Fax: (510) 855-1133



DRAWN BY

PHC

CHECKED BY

DATE ISSUED

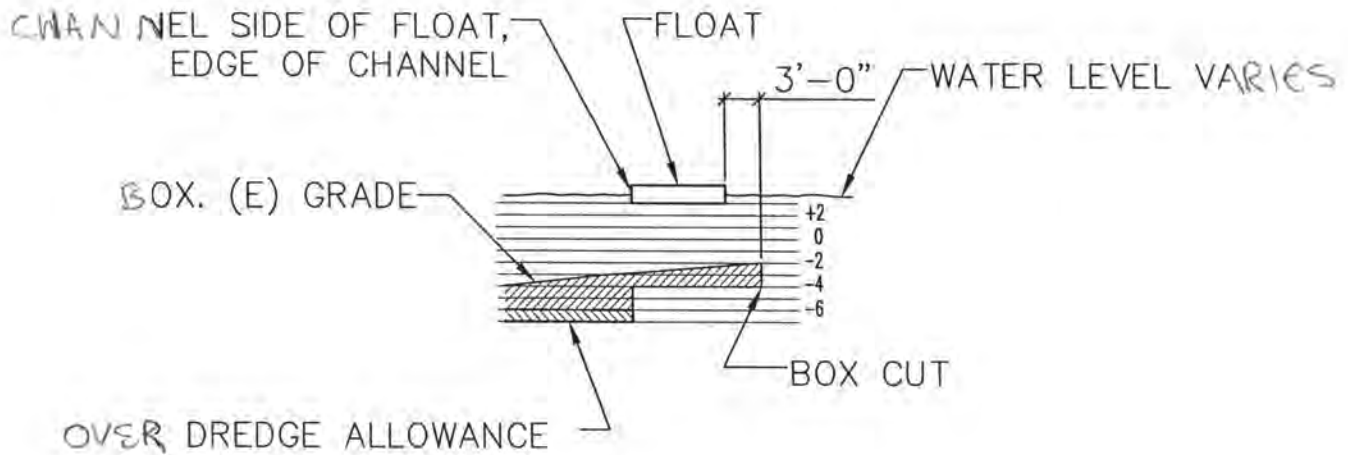
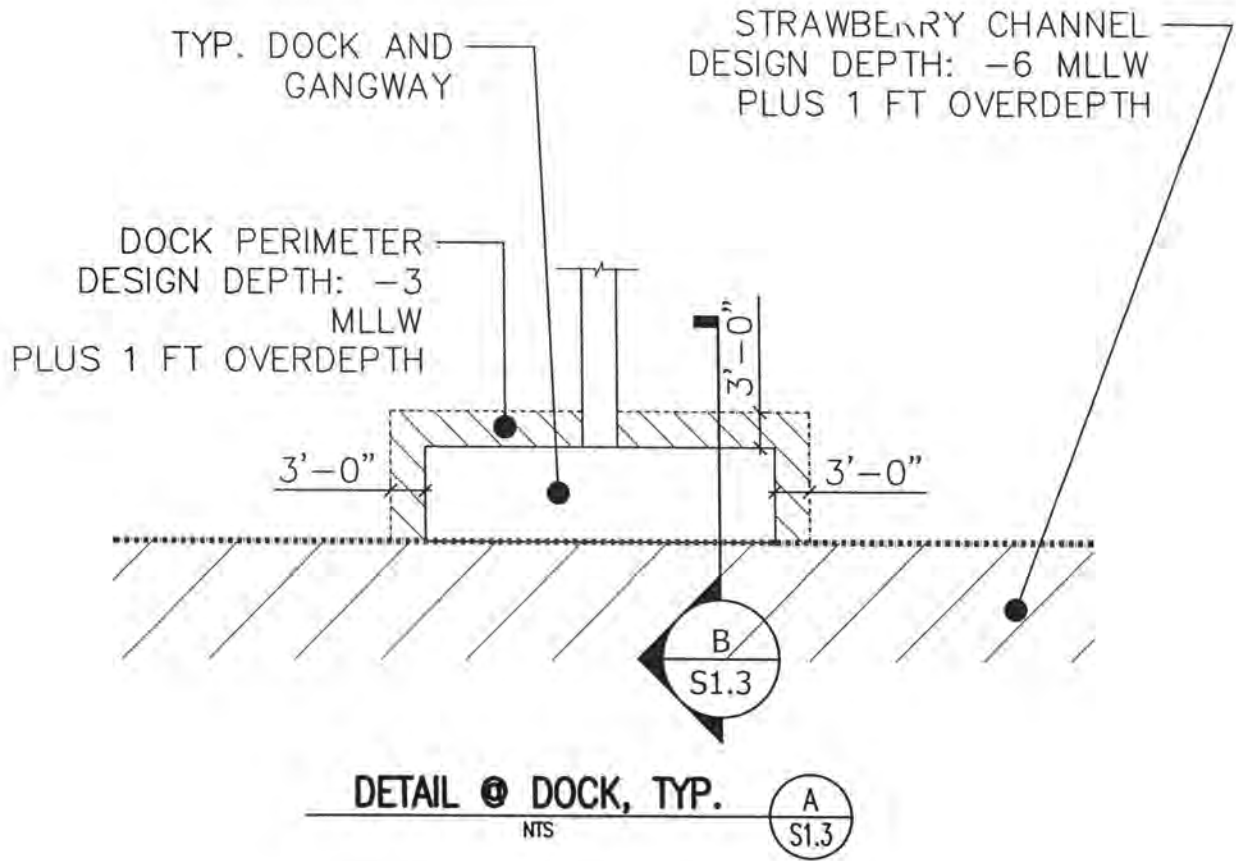
1-30-14


USACE File: 2013-00171S

Strawberry Channel  
Maintenance Dredging

Sheet 11 of 12

May 2014



<b>W. B. Clausen Structural Engineers, Inc.</b> <small>1727 64th Street, Emeryville, California 94608          Tel: (510) 855-4144 Fax: (510) 855-1133</small>		DRAWN BY	PHC
		CHECKED BY	
		DATE ISSUED	1-30-14

USACE File: 2013-00171S

Strawberry Channel  
Maintenance Dredging

Sheet 12 of 12

May 2014