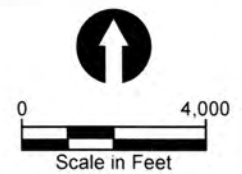




L:\AutoCAD Project Files\Projects\1103-Brisbane\Maintenance Dredging\1103 RP-008 VIC_B&W.dwg FIG 1

Jan 07, 2015 3:26pm mpratschner

AERIAL SOURCE: Aerial from ESRI basemaps.
HORIZONTAL DATUM: California State Plane, Zone 3, NAD83,
U.S. Feet.



SOURCE: Aerial from ESRI base
data from CLE Engineering survey dated September
14, 2014.
HORIZONTAL DATUM: California State Plane,
Zone 3, NAD83, U.S. Feet.
VERTICAL DATUM: Mean Lower Low Water
(MLLW).

L:\AutoCAD Project Files\Projects\1103-Brisbane\Maintenance Dredging\1103 RP-009 MARINA_B&W.dwg FIG 2

Jan 07, 2015 3:50pm mpratschner



LEGEND:

- Permit Area/ Dredge Boundary
- 10— Major Contour (5')
- Minor Contour (1')

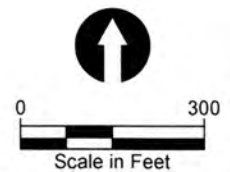
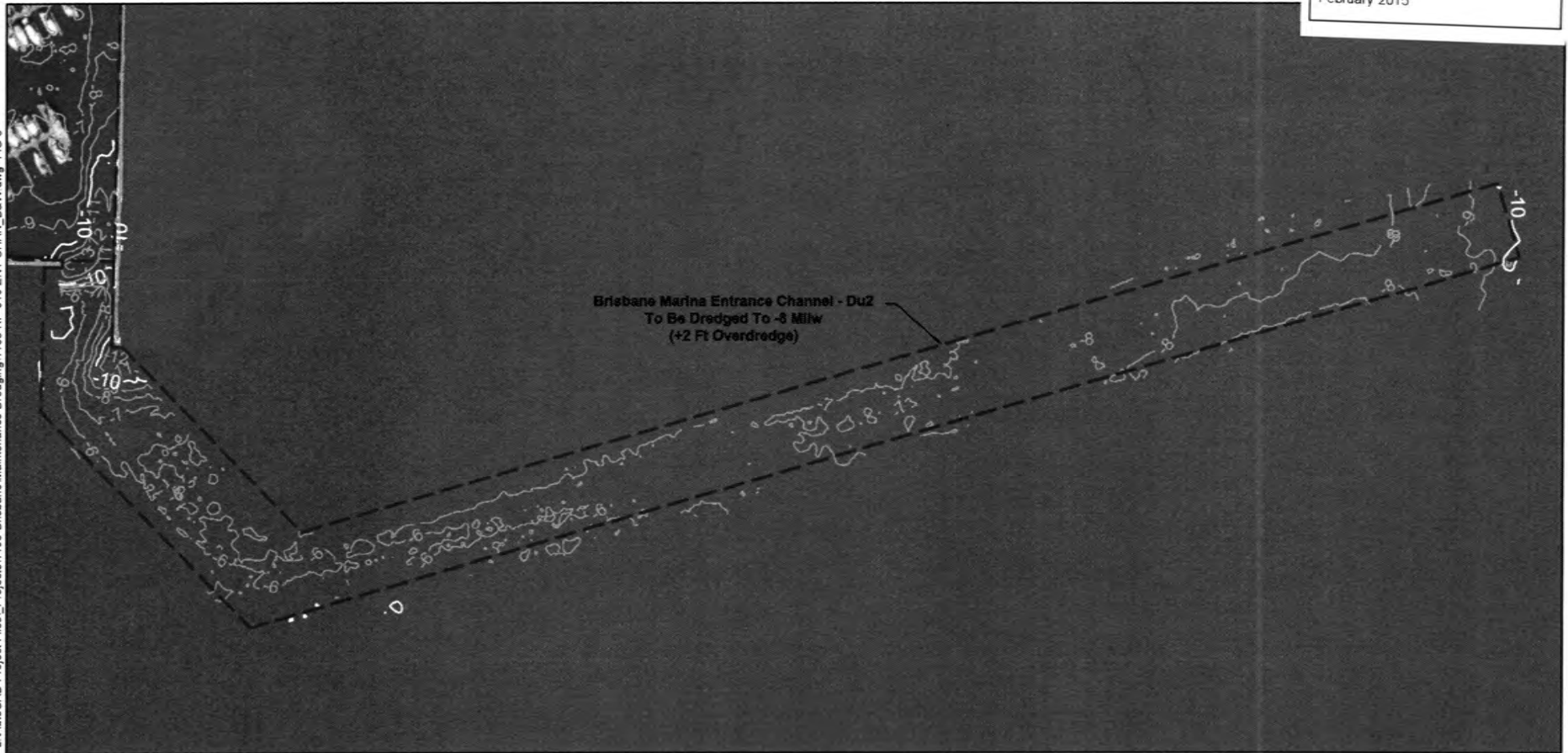


Figure 2
Brisbane Marina Maintenance Dredging Area and Depths
Brisbane Marina Maintenance Dredging Episode No. 2

L:\AutoCAD Project Files\Projects\1103-Brisbane\Maintenance Dredging\1103.RP.010.ENT.CHAN_B&W.dwg FIG 3



Jan 07, 2015 4:03pm mpratschner

SOURCE: Aerial from ESRI basemaps. Bathymetric data from CLE Engineering survey dated September 14, 2014.
HORIZONTAL DATUM: California State Plane, Zone 3, NAD83, U.S. Feet.
VERTICAL DATUM: Mean Lower Low Water (MLLW).

LEGEND:

- Permit Area/Dredge Boundary
- 10—— Major Contour (5')
- Minor Contour (1')

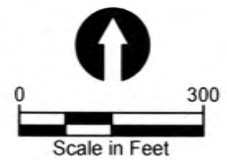
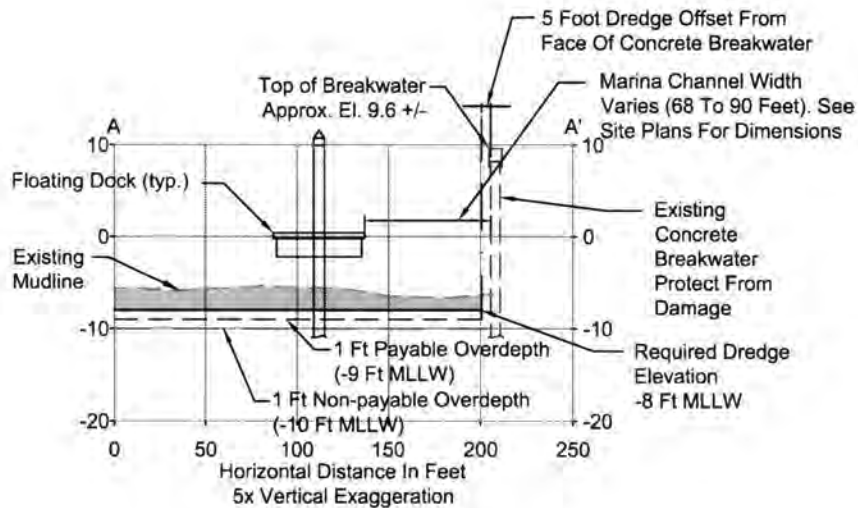
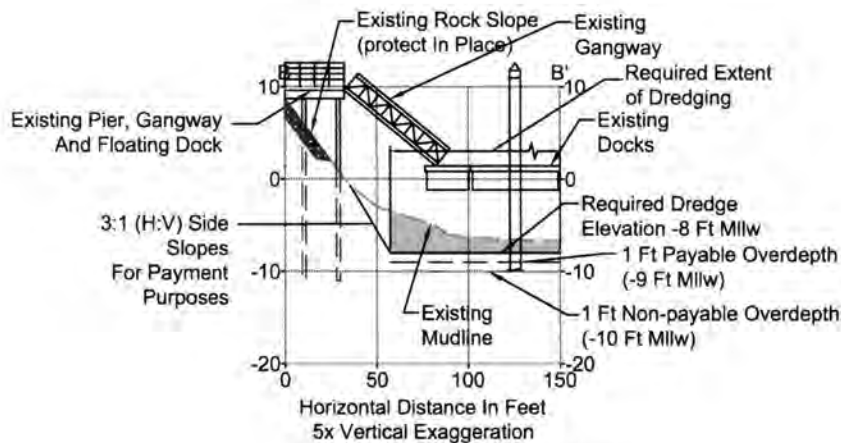


Figure 3
Brisbane Marina Entrance Channel Bathymetry and Sampling Locations
Brisbane Marina Sediment Characterization

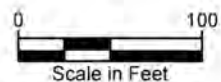


**Typical Marina Breakwater
 Cross Section**



**Typical Marina Rock Slope
 Cross Section**

SOURCE: Bathymetric data from CLE Engineering survey dated September 14, 2014.
HORIZONTAL DATUM: California State Plane, Zone 3, NAD83, U.S. Feet.
VERTICAL DATUM: Mean Lower Low Water (MLLW).

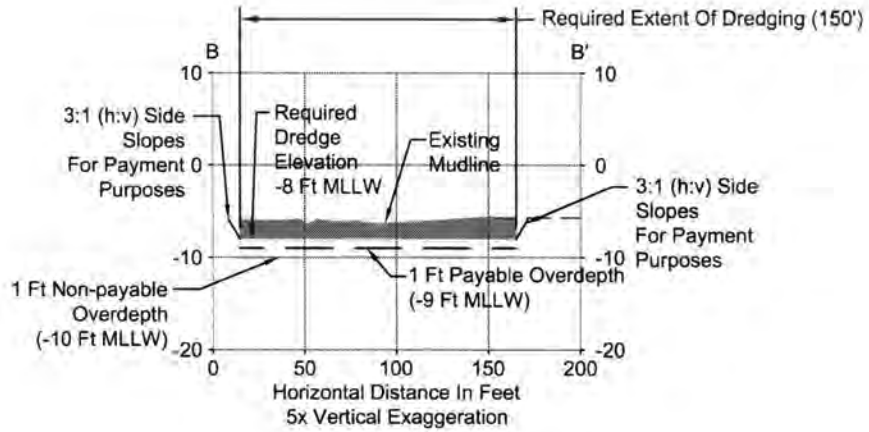


L:\AutoCAD Project Files\Projects\1103-Brisbane\Maintenance Dredging\1103 RP-010 ENT_CHAN_B&W.dwg FIG 4.
 Jan 06, 2015 3:11pm mpratschner



Figure 4
 Brisbane Marina Entrance Channel Cross Sections
 Brisbane Marina Sediment Characterization

L:\AutoCAD Project Files\Projects\1103-Brisbane\Maintenance Dredging\1103 RP-010 ENT_CHAN_B&W.dwg FIG. 5
 Jan 05, 2015 3:20pm mpratschner



**Typical Entrance Channel
 Cross Section**

SOURCE: Bathymetric data from CLE Engineering survey dated September 14, 2014.
HORIZONTAL DATUM: California State Plane, Zone 3, NAD83, U.S. Feet.
VERTICAL DATUM: Mean Lower Low Water (MLLW).

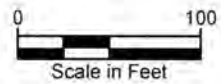


Figure 5
 Brisbane Marina Entrance Channel Cross Sections
 Brisbane Marina Sediment Characterization