

COYOTE POINT MARINA
MAINTENANCE DREDGING

PURPOSE: MULTI-EPISEDE
MAINTENANCE DREDGING
AT THE COYOTE POINT
MARINA

VICINITY MAP

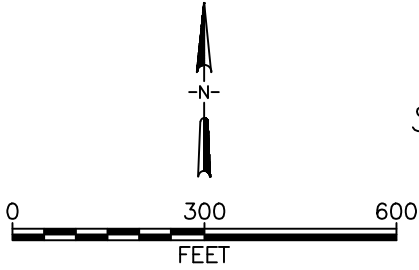
COUNTY OF SAN MATEO
DEPARTMENT OF PARKS
455 COUNTY CENTER, 4TH FLOOR
REDWOOD CITY, CA. 94063

APPLICANT: COUNTY OF SAN MATEO
DEPARTMENT OF PARKS
PROJECT: COYOTE POINT MARINA
MAINTENANCE DREDGING
LOCATION: SAN MATEO, CA
CORPS FILE NO.: 26774S
DATE: DECEMBER 9, 2016

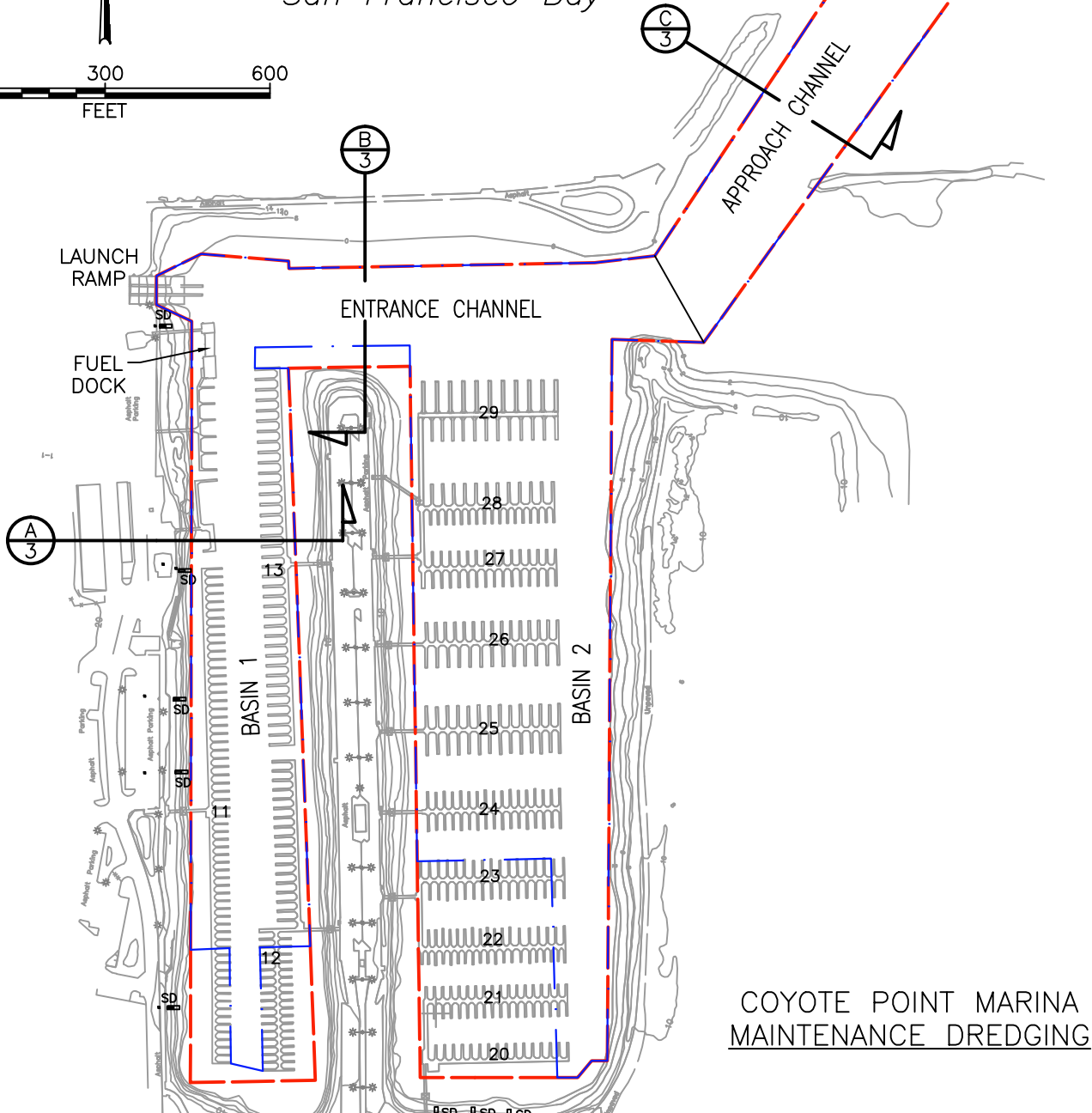
DATUM: MLLW

SHEET 1 OF 4

- - - PROPOSED NEW DREDGE PERMIT BOUNDARY
— PREVIOUS DREDGE PERMIT BOUNDARY



San Francisco Bay



COYOTE POINT MARINA
MAINTENANCE DREDGING

PURPOSE: MULTI-EPISEDE
MAINTENANCE DREDGING
AT THE COYOTE POINT
MARINA

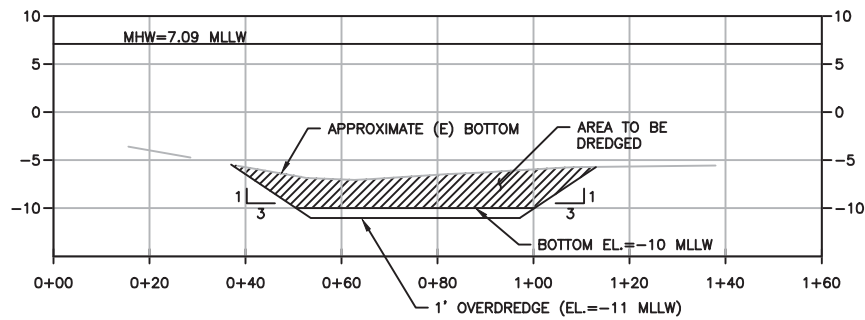
PERMIT AREA

COUNTY OF SAN MATEO
DEPARTMENT OF PARKS
455 COUNTY CENTER, 4TH FLOOR
REDWOOD CITY, CA. 94063

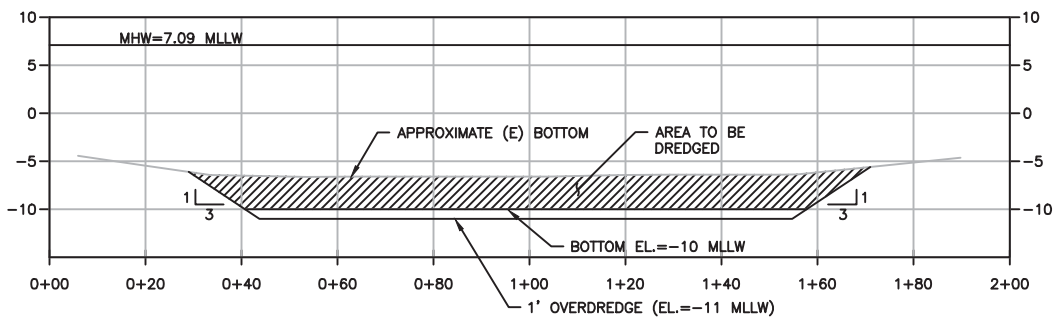
APPLICANT: COUNTY OF SAN MATEO
DEPARTMENT OF PARKS
PROJECT: COYOTE POINT MARINA
MAINTENANCE DREDGING
LOCATION: SAN MATEO, CA
CORPS FILE NO.: 26774S
DATE: DECEMBER 9, 2016

DATUM: MLLW

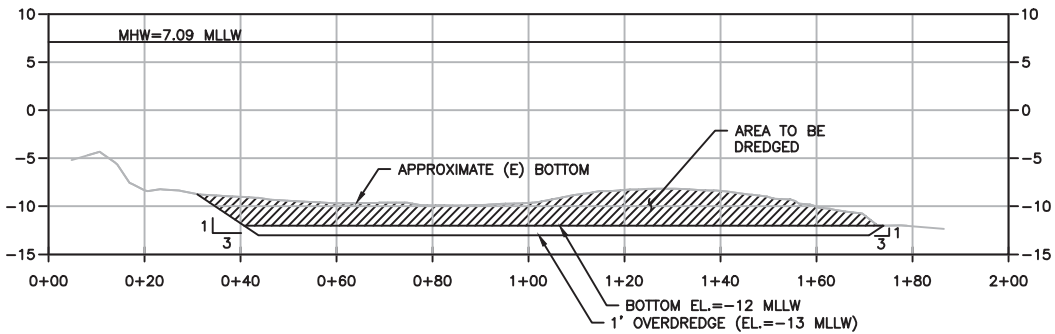
SHEET 2 OF 4



SECTION A (BASIN 1)
 HORIZONTAL SCALE 1"=40'
 VERTICAL SCALE 1"=20'



SECTION B (ENTRANCE CHANNEL)
 HORIZONTAL SCALE 1"=40'
 VERTICAL SCALE 1"=20'



SECTION C (APPROACH CHANNEL)
 HORIZONTAL SCALE 1"=40'
 VERTICAL SCALE 1"=20'

COYOTE POINT MARINA
 MAINTENANCE DREDGING

PURPOSE: MULTI-EPIISODE
 MAINTENANCE DREDGING
 AT THE COYOTE POINT
 MARINA

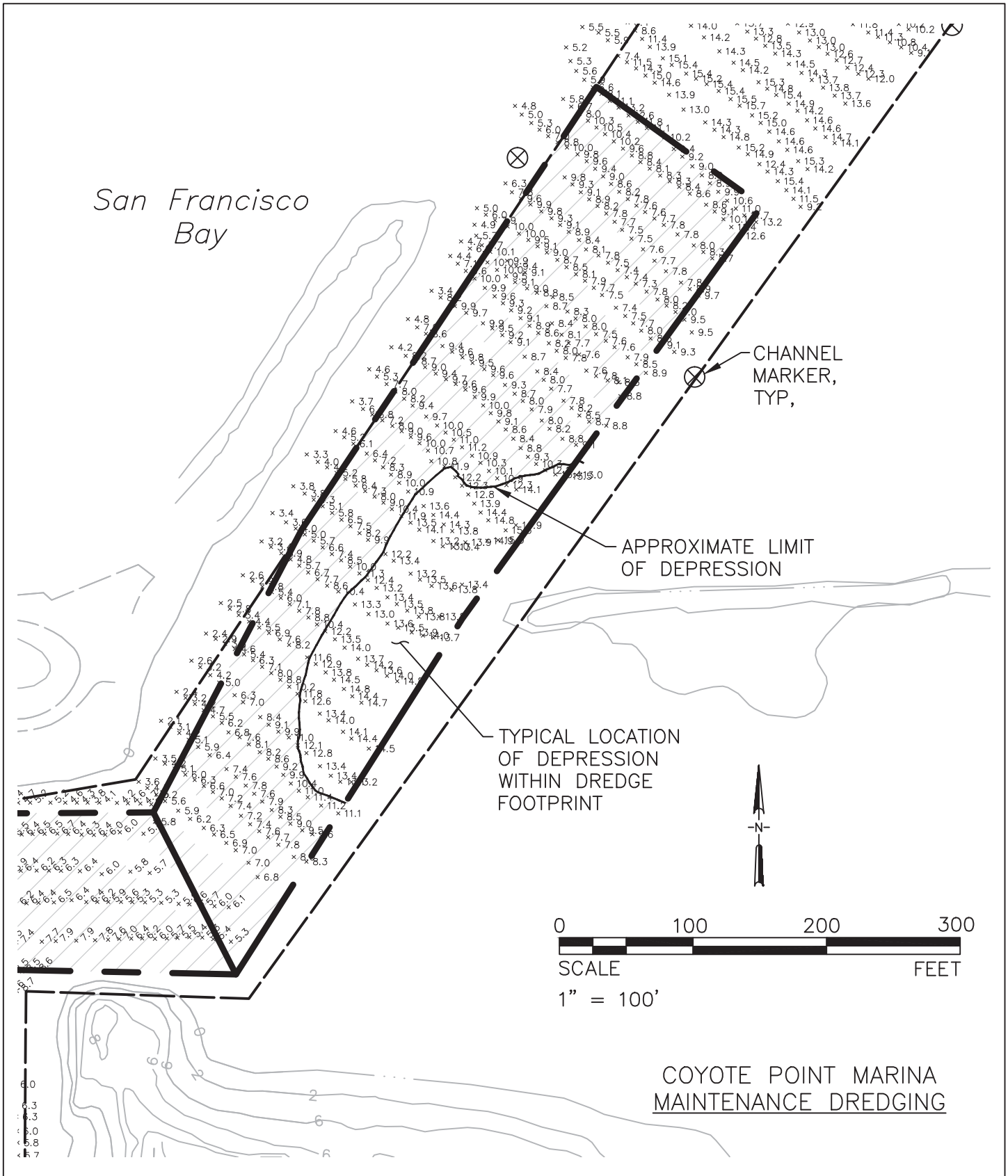
DREDGE AREA
SECTIONS (TYPICAL)

COUNTY OF SAN MATEO
 DEPARTMENT OF PARKS
 455 COUNTY CENTER, 4TH FLOOR
 REDWOOD CITY, CA. 94063

APPLICANT: COUNTY OF SAN MATEO
 DEPARTMENT OF PARKS
PROJECT: COYOTE POINT MARINA
 MAINTENANCE DREDGING
LOCATION: SAN MATEO, CA
CORPS FILE NO.: 26774S
DATE: DECEMBER 9, 2016

DATUM: MLLW

SHEET 3 OF 4



PURPOSE: MULTI-EPISEDE
MAINTENANCE DREDGING
AT THE COYOTE POINT
MARINA

DATUM: MLLW

ENTRANCE CHANNEL DEPRESSION
TARGETED FOR ACCEPTING
LEVELED SEDIMENTS DURING
KNOCKDOWN DREDGING

COUNTY OF SAN MATEO
DEPARTMENT OF PARKS
455 COUNTY CENTER, 4TH FLOOR
REDWOOD CITY, CA. 94063

APPLICANT: COUNTY OF SAN MATEO
DEPARTMENT OF PARKS
PROJECT: COYOTE POINT MARINA
MAINTENANCE DREDGING
LOCATION: SAN MATEO, CA
CORPS FILE NO.: 26774S
DATE: DECEMBER 9, 2016
SHEET 4 OF 4